



UNIVERSAL
Acoustic & Emission Technologies

Exhaust Systems for Packagers



QuietShield™
*Exhaust Silencers
and Accessories*

GreenShield®
Emission Control Systems

Tradition of Excellence

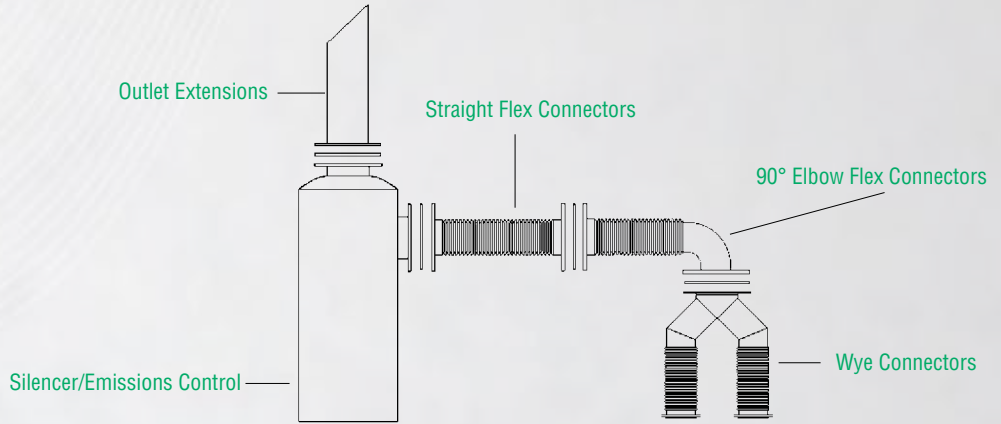
Universal Acoustic & Emission Technologies has a rich history. A pedigree that includes Nelson Muffler, Universal Silencer and Nelson Burgess provides the background and expertise to quality exhaust systems.

Universal understands the complexities a packager faces to design and assemble an exhaust system for a gen set or compressor. Space constraints, engine back pressure limits, noise ordinances, emission regulations, fit-up and costs are a few variables that must be managed throughout the design process. Universal provides the expertise, products and design tools to help.



One Stop Supply = Peace of Mind

From silencers to nut and bolt kits to emission control devices, Universal provides complete exhaust systems for gen sets and compressor packages. A single supply source for exhaust equipment ensures proper system fit-up and operation.



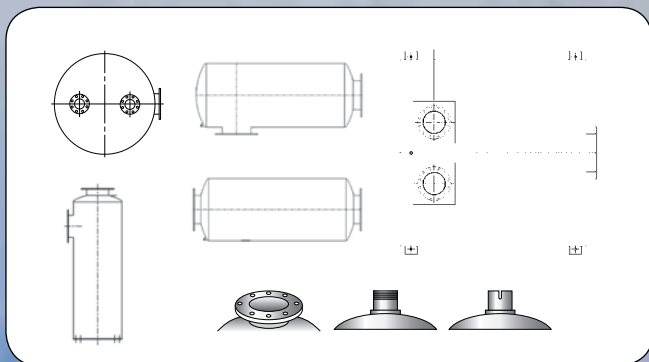
Easy to Size and Price

Universal takes the complexity out of sizing and pricing an exhaust system. Online sizing and pricing tools are available to configure and quote an entire exhaust system. Real time pricing, lead times and drawings make quoting your packages faster and easier.

Universal offers many configurations and styles of silencers to meet any application needs. Styles include Puck, Low Profile, Cylindrical, Spark Arrestor and Space Saver. Exhaust configurations are End-in/End-out, Side-in/End-out, High Side in/End-out, Middle Side in/End-out and multiple exhaust inlet/outlets. ANSI flanged, NPT and slotted clamped mounting options are also available.



www.universalAET.com



Universal's silencers are highly configurable to easily meet each need.

(right) Universal's online tools can help determine the ideal solution and provide technical data, including back pressure, estimates, accessories, prices and delivery.

Quietshield™ Product Selection Tool

Customer: Ultimate Design
Project: Gen Set #3

Product Information

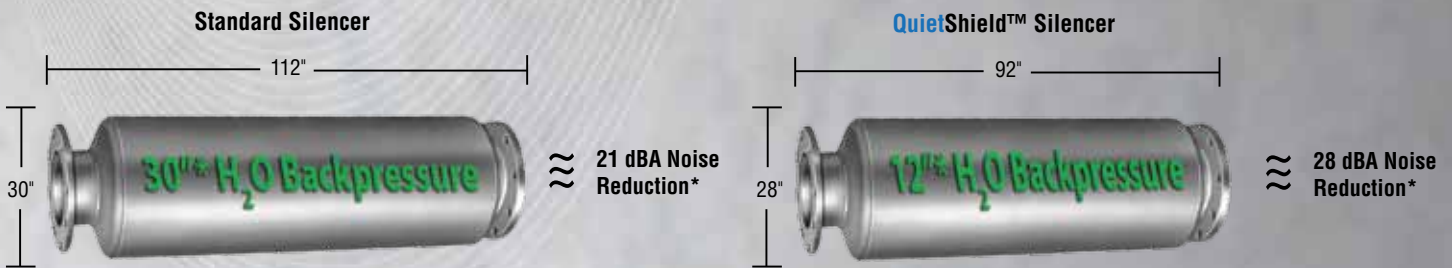
Input	
Estimated Silencer Pressure Loss	9.7 inches H ₂ O
Calculated Velocity	7359.7 feet/min
Part Number	82389F
Style	Cylindrical
Configuration	Vertical Mount, Side In/Top Out
Level of Attenuation	Critical Grade (25-36 dB)
Output	
A (peak size)	16
B (silencer diameter)	42
C (body length)	128
D (overall length)	133
E (inlet/outlet length)	4
F (inlet offset)	22
Estimated weight	1295 lbs

Typical Attenuation Curve

Technical Specification Sheet | Quote Sheet | Change product specifications | Find another product

Smaller Size = Economical and Attractive Packages

Using the latest in acoustic design and manufacturing techniques, the new QuietShield line of silencers is 20–30% smaller than traditional designs. A smaller silencer allows for smaller enclosures, greatly reducing a package's production and shipping costs. QuietShield's multiple configuration options and smaller size are ideal to fit inside tight enclosures, allowing for attractive, streamline package designs.




*Actual engine test data


Comparison between a standard silencer and the QuietShield™, 12" inlet, critical grade at 7,000 CFM on a one MW Generator.

Easier and Faster to Install

Universal understands that innovative solutions need to be easy to install. Exhaust systems are factory installed into preassembled, self-contained exhaust systems. Your production personnel are not required to assemble hundreds of components, therefore reducing production time and mistakes. Many exhaust systems arrive ready to be installed on the top of an enclosure with the inlet prelocated over the exhaust pipe. Connect the pipe and controls and your package is ready to ship to the customer.



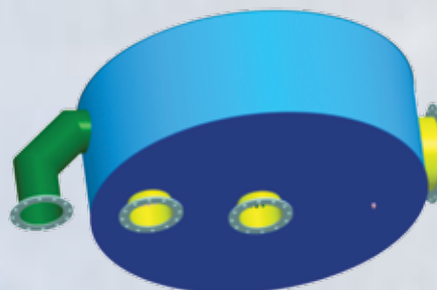
A prepackaged SCR system ready to be installed.



Simply attach to the package's roof, connect to the exhaust pipe and connect the controls.

Custom Options

Have a unique application that requires a special configuration, acoustic level or emissions control? Universal has over 25 technical and design engineers on staff to create an efficient and cost effective solution, fast.



A dedicated staff of designers is available to develop unique solutions to everyday exhaust problems.



Custom systems are designed and prototyped using the latest technology.

Stocked Products for Quick Deliveries

Universal has a vast selection of silencers and accessories in inventory to handle emergency situations. Universal understands the importance of on time delivery and won't allow an exhaust component to delay delivery.

Stocked silencers and accessories are available for immediate shipment.

Tier 4 and RICE NESHAP Compliance Solutions

The **GreenShield®** line of emission control products with **QuietShield™** technology also provides small and efficient exhaust systems. This technology offers a similar footprint and back pressure to traditional silencers only designs—an ideal solution for existing engine exhaust system upgrades.



(left) Integrated silencer and emission packages are smaller, more efficient and less expensive.

(right) These gen sets are equipped with Universal's GreenShield® CARB 3+ verified DPFS.

National and local environmental regulations are constantly evolving. Universal has qualified staff that understand the regulations and how to comply with them. Universal offers a standard line of GreenShield® Emission Control Products that includes Diesel Oxidation Catalysts, Oxidation Catalysts, Diesel Particulate Filters and SCR systems.



Global Support

Contact Universal for assistance in the design and manufacture of your exhaust system.

Eje 120 No. 350
Zona Industrial 1a. Seccion
78090 San Luis Potosi, S.L.P.
Mexico
Phone +52 444-8704708
info@universalAET.com

Unit 2, Barleyfield
Hinckley
Leicestershire
LE10 IYE
Phone +44 (0)1455 894470
UKcontacts@universalAET.com

71 Bukit Batok Crescent #05-07
Prestige Centre
Singapore 658071
Singapore
Phone +65-6665 6771
AsiaPacific@universalAET.com

4, Anmol Pride
Survey No. 270/1/16
Baner, Pune 411045
India
Phone +91 020 32319914
India@universalAET.com

Suite 13C, No 58 Xin Jin Qiao Rd
Shanghai 201206
China
Phone +86 21 50303658
China@universalAET.com

Zeppelinstrasse 4
82178 Puchheim
Germany
Phone +49 (0)89 8006 5090
GmbH@universalAET.com

1925 Highway 51/138
P.O. Box 411
Stoughton, WI 53589 USA
Phone +1 (608) 873-4272
info@universalAET.com



UNIVERSAL

Acoustic & Emission Technologies

GLOBAL HEADQUARTERS

Universal
1925 Highway 51/138
P.O. Box 411
Stoughton, WI 53589 USA
Phone (608) 873-4272
Fax (608) 873-4298
www.universalAET.com