



UNIVERSAL SILENCER

A FLEETGUARD/NELSON COMPANY
P.O. Box 411, Stoughton, Wisconsin 53589
608-873-4272 Fax 608-873-4298

STANDARD URBN-2 1/2 BLOWER SILENCER

DATE 7-3-00

SHEET OF

SCALE NTS

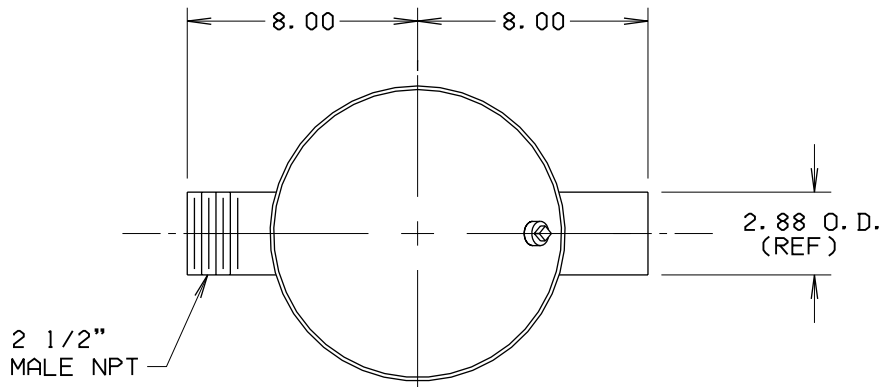
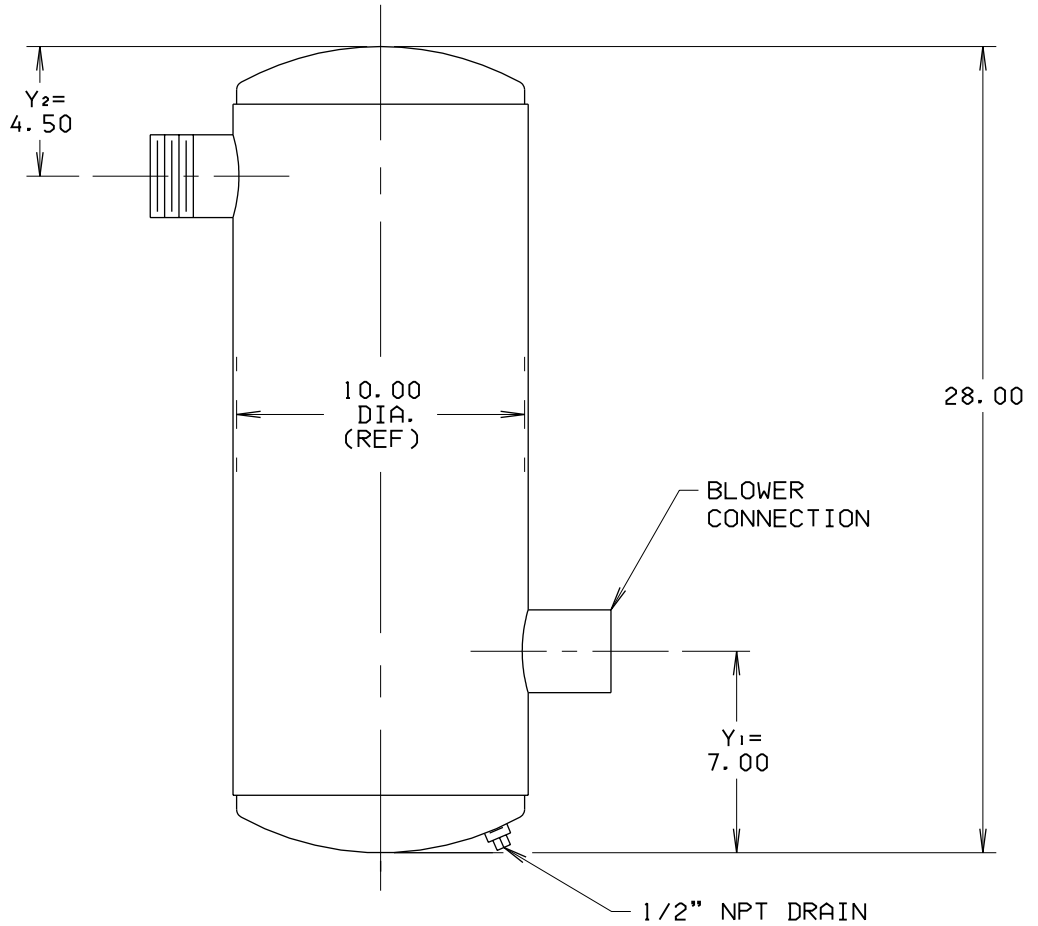
NO.

REVISION

DRAWN

APP'D

This document contains CONFIDENTIAL and PROPRIETARY information of Universal Silencer, a Division of Nelson Industries, Inc. Any disclosure or unauthorized use without the express written consent of Universal Silencer is PROHIBITED.



DIMENSIONAL DRAWING NO.

55-525-AA

MOUNTING LEGS

YES

NO

X DIM=

Y DIM=

X+Y DIM=

	Y ₁	Y ₂
	7.00	4.50

DIMENSIONS
CERTIFIED FOR:

P. O. NO:

U. S. S. O. NO:

BY

APPROX WT 35

MATERIAL STEEL

DRAWN BGL

DIMENSIONAL DRAWING NO.

REV.

FINISH 88-0102 SHOP COAT PRIMER

CHECK DO 7-6-00

55-525-AA

0

0