



UNIVERSAL SILENCER

A FLEETGUARD/NELSON COMPANY
P.O. Box 411, Stoughton, Wisconsin 53589
608-873-4272 Fax 608-873-4298

STANDARD UWVS-12 INLET SEPARATOR SILENCER

DATE 9-14-00

SHEET OF

SCALE 0.044"=1"

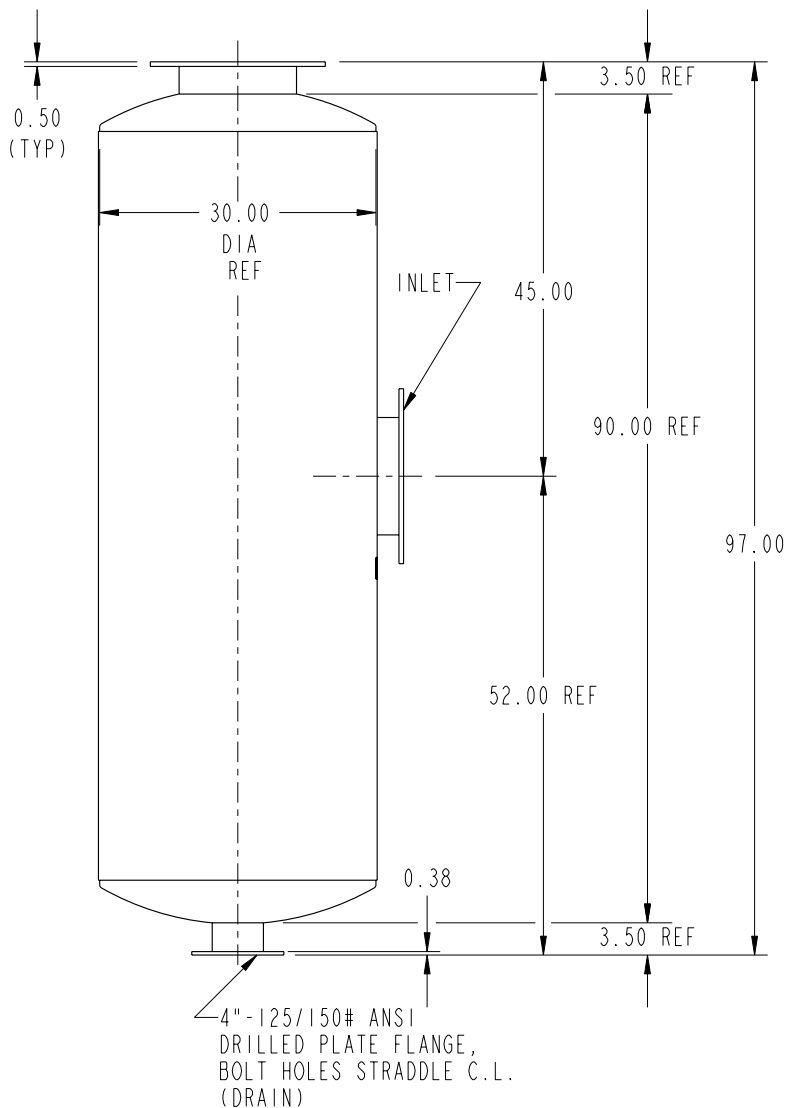
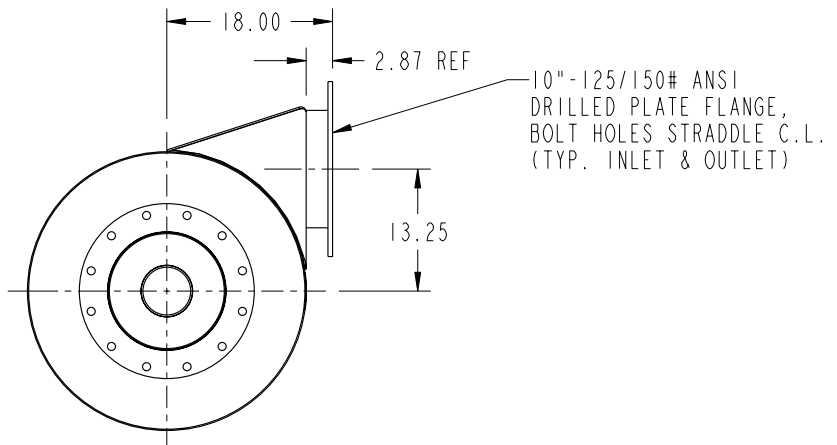
NO.

REVISION

DATE

BY

This document contains CONFIDENTIAL and PROPRIETARY information of Universal Silencer, A Division of Nelson Industries, Inc. Any disclosure or unauthorized use without the express written consent of Universal Silencer is PROHIBITED.



PRO/E

DIMENSIONAL DRAWING NO.

6U-112-AA

MOUNTING LEGS

YES

NO

X DIM= _____

Y DIM= _____

X+Y DIM= _____

DIMENSIONS
CERTIFIED FOR:

P.O. NO:

U.S. S.O. NO:

BY

APPROX WT 510

MATERIAL STEEL

DRAWN MCM

DIMENSIONAL DRAWING NO.

REV.

FINISH 88-0102 SHOP COAT PRIMER

CHECK DO 9-14-00

6U-112-AA

0

0

REV.