



UNIVERSAL SILENCER

A DIVISION OF NELSON INDUSTRIES, INC.

STOUGHTON, WISCONSIN

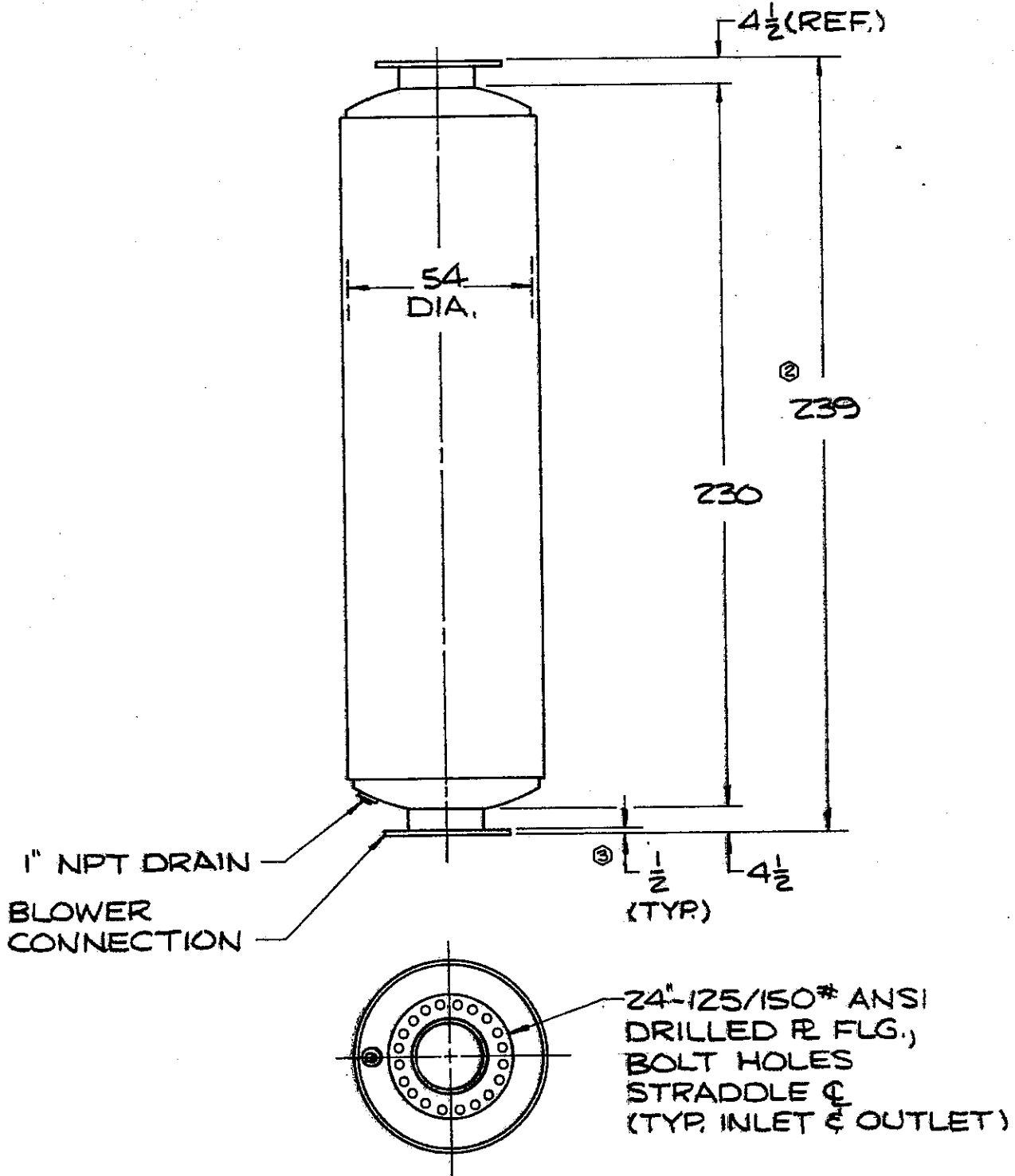
STANDARD URD-24 DISCHARGE SILENCER

DATE 7-7-82

SHEET OF

SCALE NTS

NO.	③	FLG. WAS 3/4" THK	8-26-83	SR
	②	Z39 WAS 240	7-7-82	SR
REVISION				BY



DRAWING NO.
A-55-124-AA

DIMENSIONS CERTIFIED FOR:	
P.O. NO:	
U.S. S.O. NO:	
BY	DATE

REV. 3	APPROX. WT. 3450	MATERIAL STEEL	DRAWN SER	DRAWING NO. A-55-124-AA	REV. 3
	FINISH (88-010Z) SHOP COAT PRIMER		CHECK BWO		

53B