



UNIVERSAL SILENCER

A FLEETGUARD/NELSON COMPANY
P.O. Box 411, Stoughton, Wisconsin 53589
608-873-4272 Fax 608-873-4298

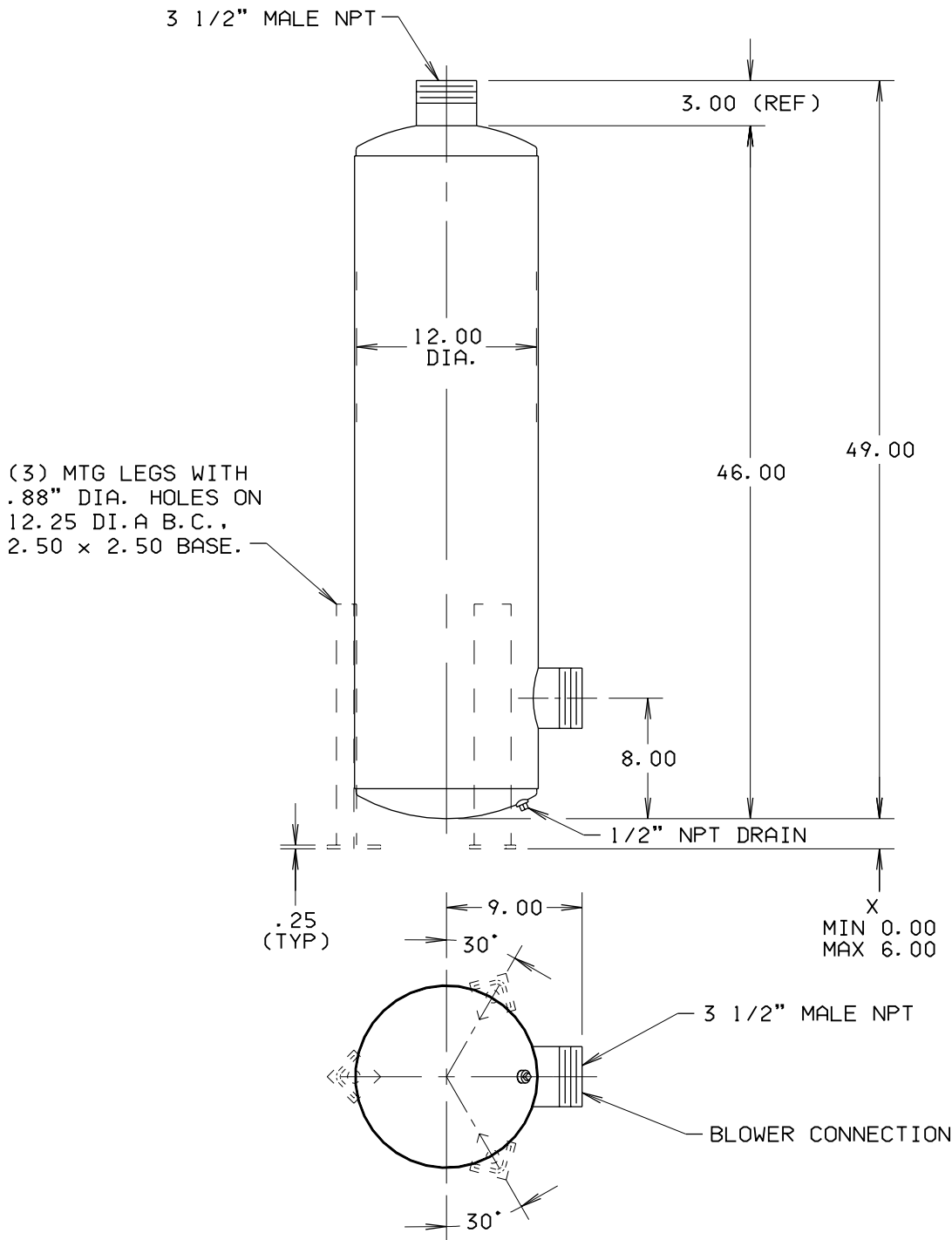
STANDARD URBY-3 1/2 INLET/DISCHARGE SILENCER

DATE 02-19-99

SHEET OF

SCALE NTS

NO.	4
REVISION	REDRAWN AND FINISH WAS HI-HEAT ALUMINUM
DRAWN	2-19-99
APP'D	DY



(3) MTG LEGS WITH
.88" DIA. HOLES ON
12.25 DI.A B.C.,
2.50 x 2.50 BASE.

DIMENSIONAL DRAWING NO.
55-235-AA

MOUNTING LEGS

YES

NO

X DIM= _____

Y DIM= _____

X+Y DIM= _____

DIMENSIONS CERTIFIED FOR:

P.O. NO: _____

U.S. S.O. NO: _____

BY _____

REV.	APPROX WT 65	MATERIAL STEEL	DRAWN DY	DIMENSIONAL DRAWING NO.	REV.
4	FINISH 88-0102 SHOP COAT PRIMER	4	CHECK DO 2-24-99	55-235-AA	4