



UNIVERSAL SILENCER

A DIVISION OF NELSON INDUSTRIES, INC.

STOUGHTON, WISCONSIN

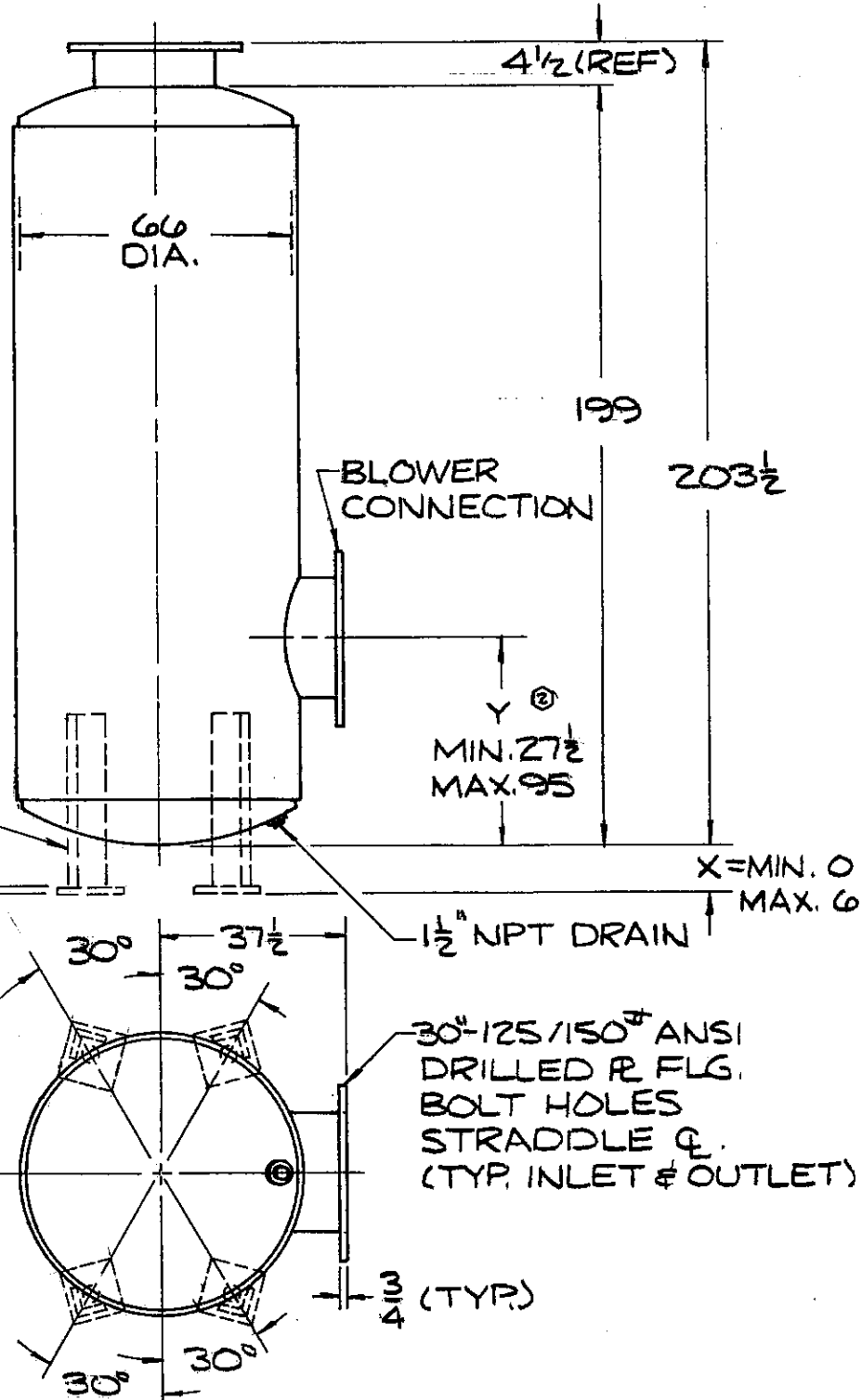
STANDARD UCIY-30 INLET SILENCER

DATE 7-2-82

SHEET OF

SCALE NTS

NO.	②
REVISION	Y MIN & MAX WERE 27 & 73, WERE (3) LEGS ON 65 B.C.
DATE	7/2/82
BY	SE



② (4) MTD. LEGS WITH 1 1/2 DIA. HOLES ON 66 DIA. B.C., 7x7 BASE

DRAWING NO.
A-53-230-AA

MOUNTING LEGS

YES

NO

X DIM. = _____

Y DIM. = _____

X + Y DIM. = _____

DIMENSIONS CERTIFIED FOR:

P.O. NO: _____

U.S. S.O. NO: _____

BY _____ DATE _____

REV.	APPROX. WT. 4600	MATERIAL STEEL	DRAWN SER	DRAWING NO.	REV.
2	FINISH (88-0102) SHOP COAT PRIMER		CHECK Dwo	A-53-230-AA	2

53B