



UNIVERSAL SILENCER

A DIVISION OF NELSON INDUSTRIES, INC.
STOUGHTON, WISCONSIN

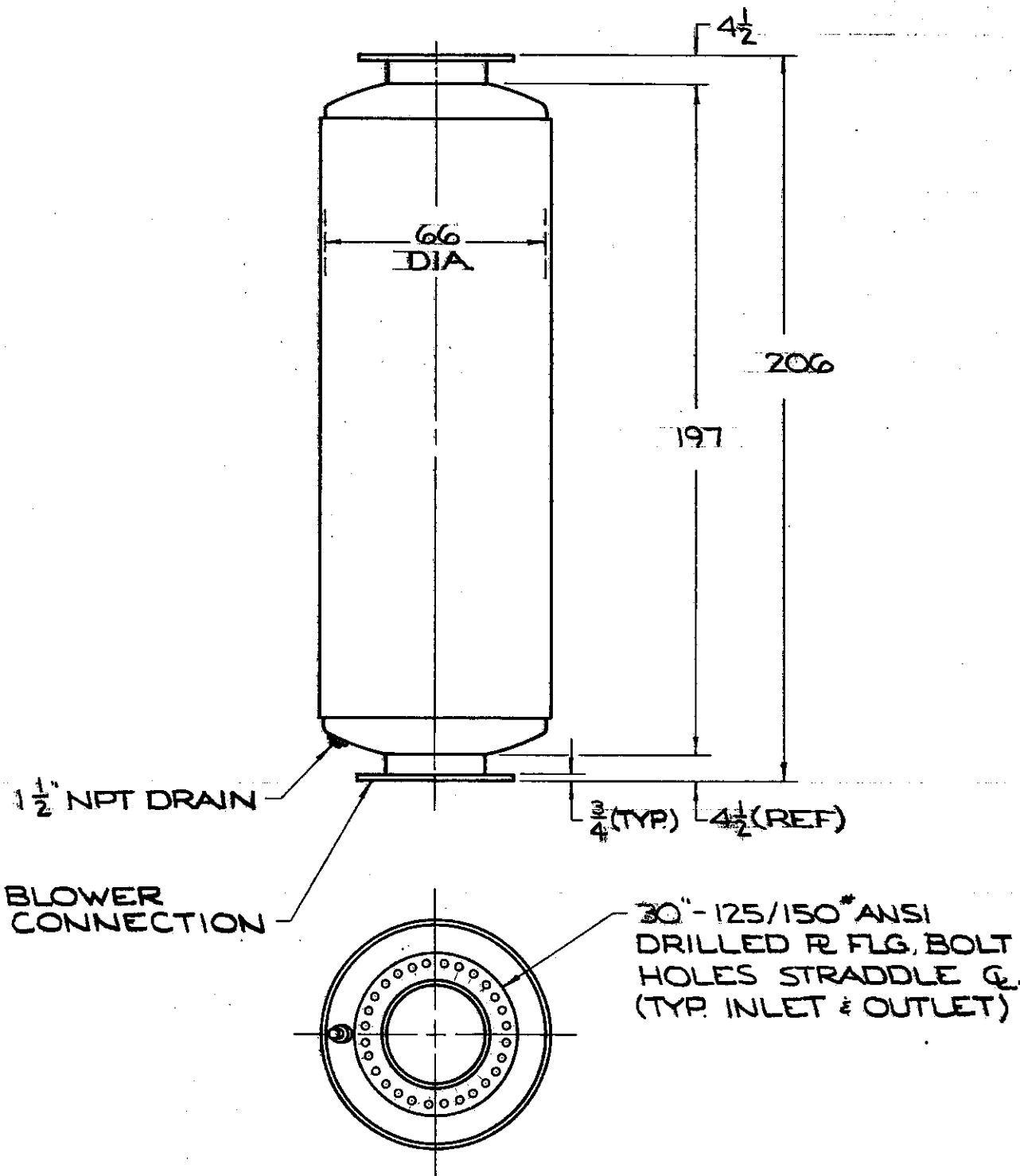
STANDARD UCI-30 INLET SILENCER

DATE 7-2-85

SHEET — OF —

SCALE NTS

NO.	2
REVISION	REDRAWN
DATE	7/1/82
BY	[Signature]



DRAWING NO.
A-53-130-AA
REV. **2**

DIMENSIONS CERTIFIED FOR:	
P.O. NO:	
U.S. S.O. NO:	
BY	DATE

APPROX. WT. 4650	MATERIAL STEEL	DRAWN SER	DRAWING NO.	REV.
FINISH (88-0102) SHOP COAT PRIMER		CHECK DUP	A-53-130-AA	2