



UNIVERSAL SILENCER

A DIVISION OF NELSON INDUSTRIES, INC.
STOUGHTON, WISCONSIN

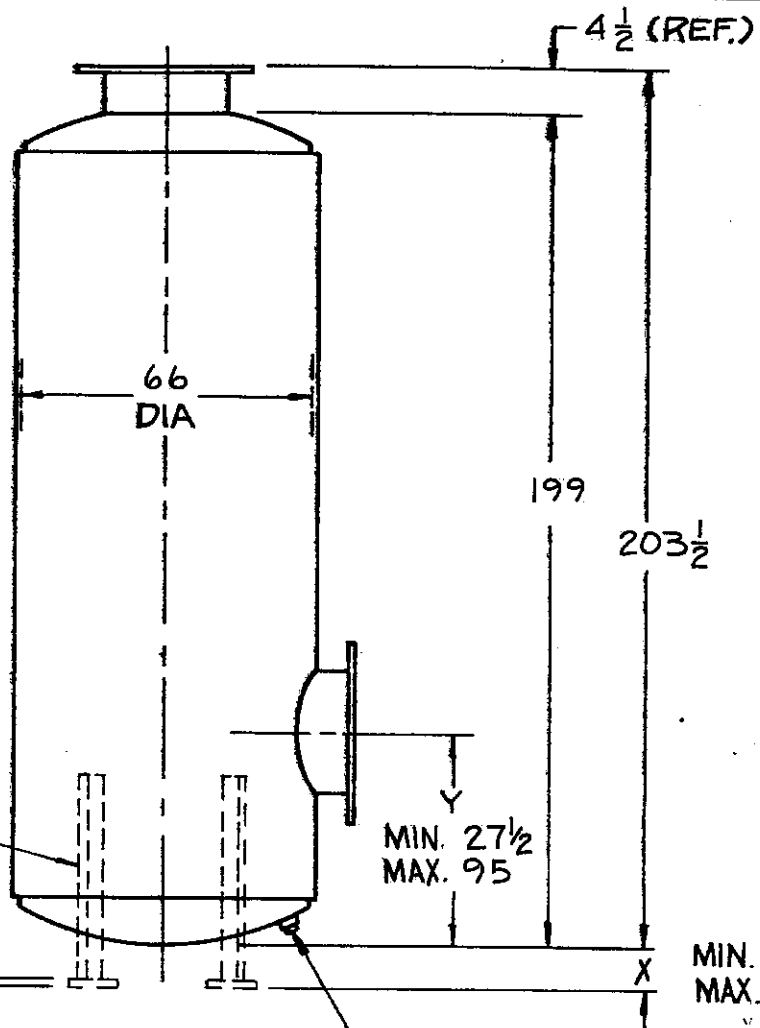
STANDARD UCDY-30 DISCHARGE SILENCER

DATE 7-13-87

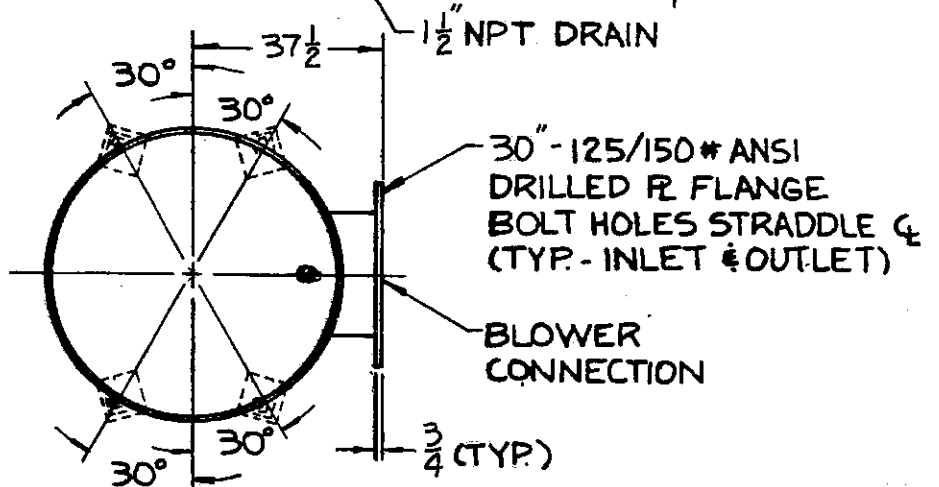
SHEET OF

SCALE NTS

NO.	3
REVISION	REDRAWN
DATE	7/3/87
BY	SPF/DWD



(4) MTG. LEGS WITH 1 3/8
DIA HOLES ON 66 3/4
DIA B.C. 7x7 BASE



DRAWING NO. A-56-230-AA

MOUNTING LEGS

YES

NO

X DIM. = _____

Y DIM. = _____

X + Y DIM. = _____

DIMENSIONS CERTIFIED FOR:

P.O. NO: _____

U.S. S.O. NO: _____

BY _____ DATE _____

REV. 3	APPROX. WT. 4650	MATERIAL STEEL	DRAWN SPF	DRAWING NO. A-56-230-AA	REV. 3
	FINISH 88-0102 SHOP COAT PRIMER		CHECK DWD		