



# UNIVERSAL SILENCER

A DIVISION OF NELSON INDUSTRIES, INC.  
STOUGHTON, WISCONSIN

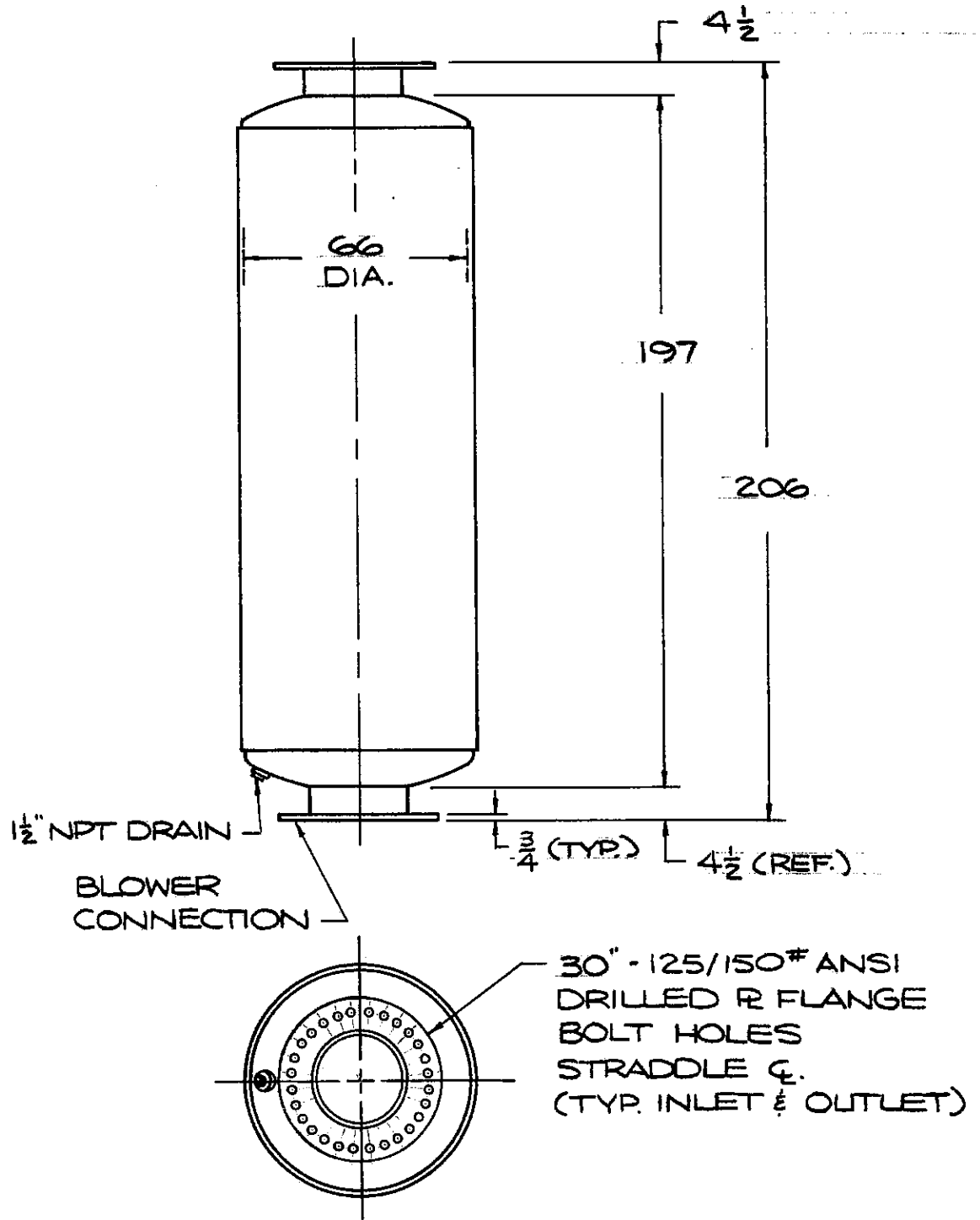
## STANDARD LCD-30 DISCHARGE SILENCER

DATE 7-1-82

SHEET OF

SCALE NTS

NO.	2
REVISION	REDRAWN
DATE	7-1-82
BY	SER



DRAWING NO.  
A-56-130-AA

DIMENSIONS CERTIFIED FOR:	
P.O. NO:	
U.S. S.O. NO:	
BY	DATE

REV. 2	APPROX. WT. 4650	MATERIAL STEEL	DRAWN SER	DRAWING NO.	REV.
	FINISH (88-0102) SHOP COAT PRIMER		CHECK DWD	A-56-130-AA	2