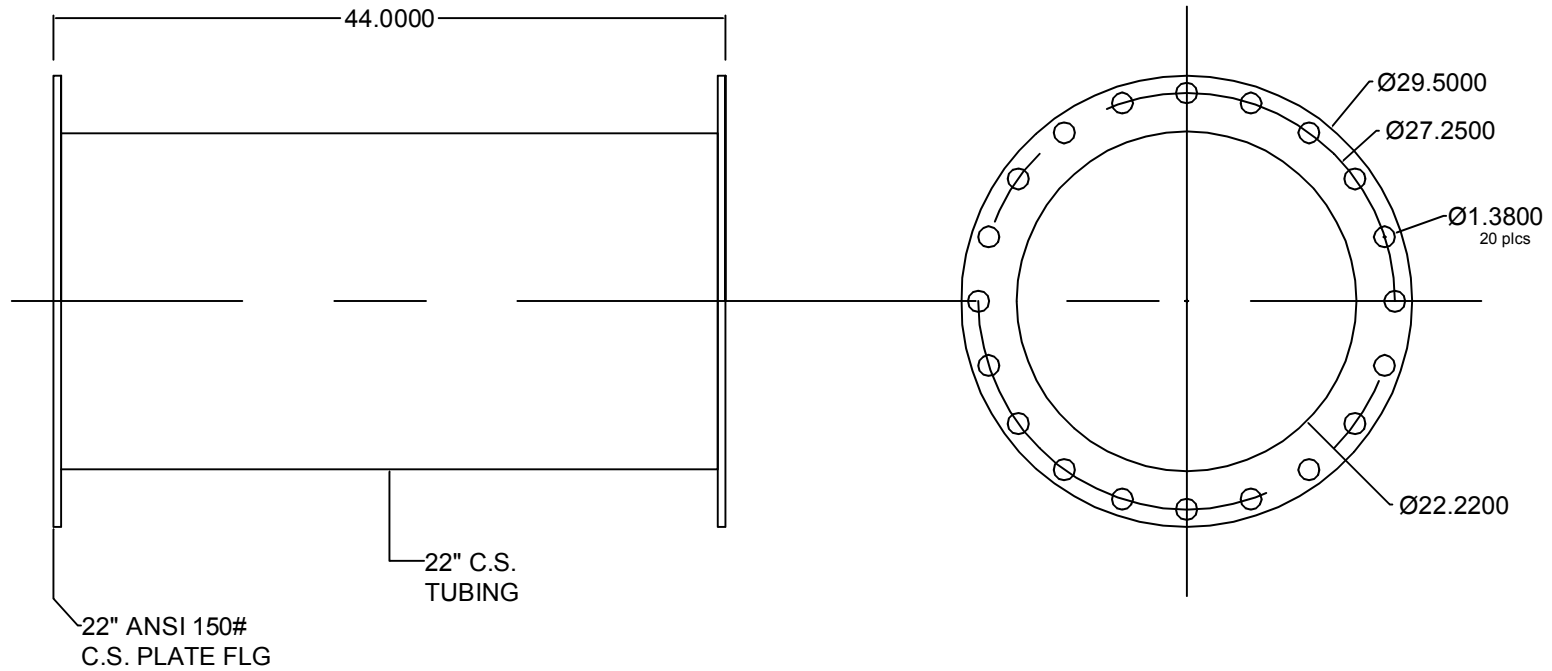


REVISION RECORD

NO.	CHANGE DESCRIPTION	DRAWN	APP'D



DIMENSIONS CERTIFIED FOR:

TOLERANCES UNLESS STATED - SEE FULL SPEC. 88-0075

(mm)	US customary (")	(mm)	US customary (")
0-300	0-12	±1.6	±1/16
>300-600	>12-24	±3	±1/8
>600-900	>24-36	±5	±3/16
>900-6000	>36-240	±6	±1/4
>6000	>240	±12	±1/2
ANGULAR TOL		±2°	
APPROX. WT.	----	MATERIAL	----
FINISH	----		

Copyright © 2010 UNIVERSAL
All Rights Reserved

This Document and the information contained herein constitutes proprietary property, and shall not be copied or used or disclosed without the express written consent of Universal Acoustic & Emission Technologies Inc.



UNIVERSAL
Acoustic & Emissions Technologies

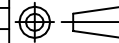
DESIGN CONTROL: STOUGHTON

SCALE: DO NOT SCALE

DESCRIPTION

22" NOM
STRAIGHT TUBE FLANGES

THIRD ANGLE
PROJECTION



DIMENSIONAL DWG. NO:

80-3930

SHEET

1 OF 1

REV.

0

P.O. NO:

U.S. S.O. NO:

BY

DATE

NAME DATE

DRAWN JEF 11-30-10

CHECKED TAH 3-2-11