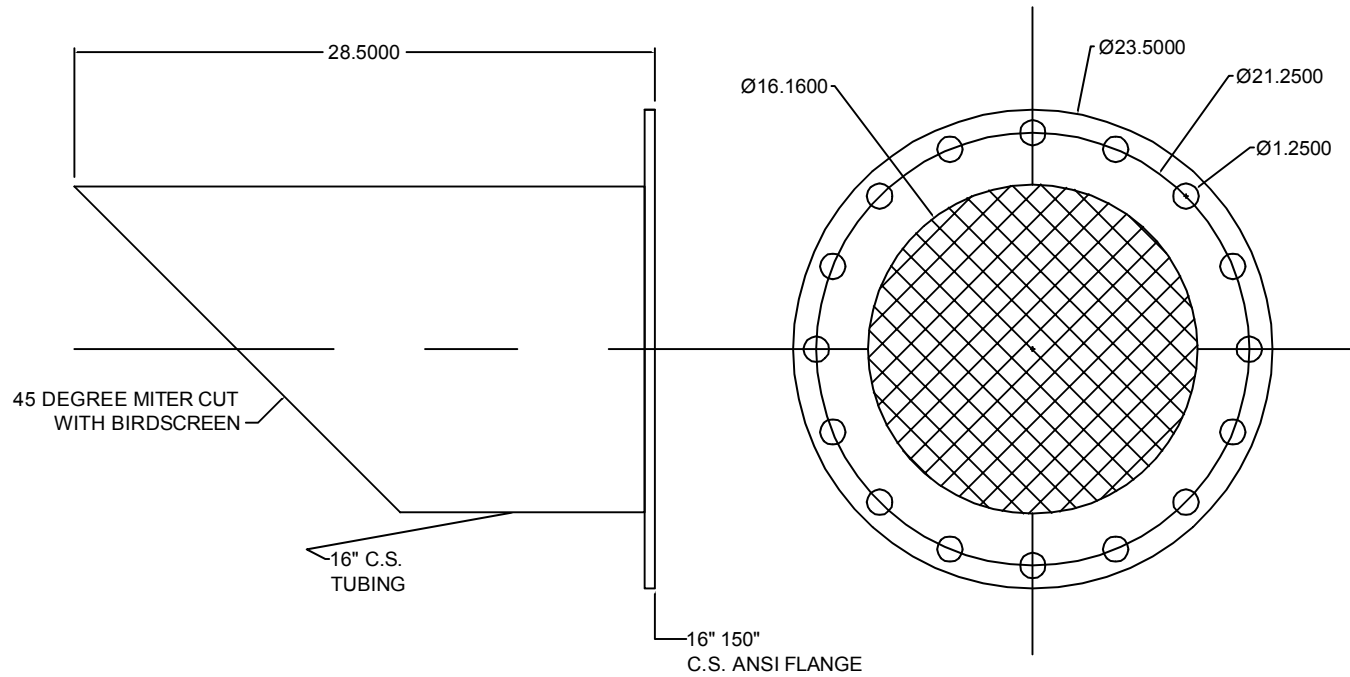


REVISION RECORD

NO.	CHANGE DESCRIPTION	DRAWN	APP'D
-----	--------------------	-------	-------



DIMENSIONS CERTIFIED FOR:

TOLERANCES UNLESS STATED - SEE FULL SPEC. 88-0075

(mm)	US customary (")	(mm)	US customary (")
0-300	0-12	±1.6	±1/16
>300-600	>12-24	±3	±1/8
>600-900	>24-36	±5	±3/16
>900-6000	>36-240	±6	±1/4
>6000	>240	±12	±1/2
ANGULAR TOL		±2°	

Copyright © 2010 UNIVERSAL
All Rights Reserved

This Document and the information contained herein constitutes proprietary property, and shall not be copied or used or disclosed without the express written consent of Universal Acoustic & Emission Technologies Inc.



UNIVERSAL
Acoustic & Emissions Technologies

DESIGN CONTROL: STOUGHTON

SCALE: DO NOT SCALE

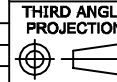
P.O. NO:	
U.S. S.O. NO:	
BY	
DATE	

APPROX. WT.	87 LBS	MATERIAL	----
FINISH	----		

NAME	DATE
DRAWN JEF	11-29-10
CHECKED TAH	3-2-11

DESCRIPTION

16" NOM
OUTLET EXTENSIONS - CUT END, WITH BIRD SCREEN



DIMENSIONAL DWG. NO:
40388K

SHEET
1 OF 1

REV.
0