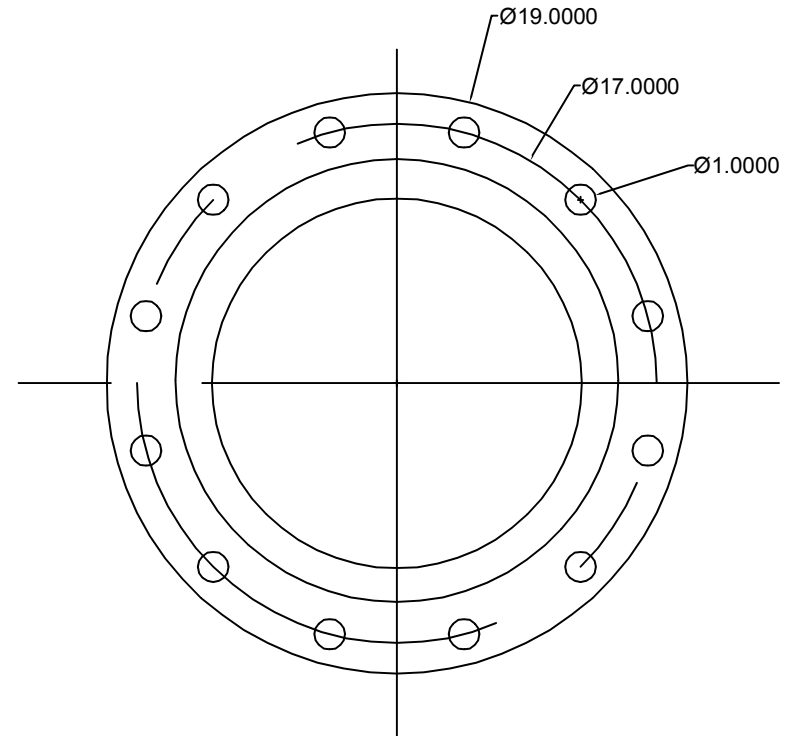
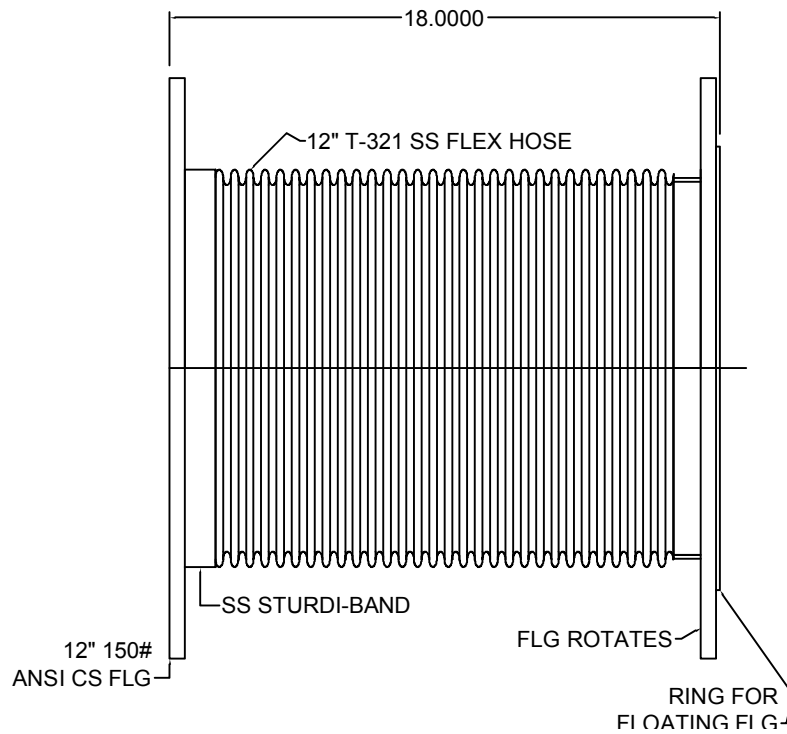


REVISION RECORD

NO.	CHANGE DESCRIPTION	DRAWN	APP'D
-----	--------------------	-------	-------



DIMENSIONS CERTIFIED FOR:

TOLERANCES UNLESS STATED - SEE FULL SPEC. 88-0075

(mm)	US customary (")	(mm)	US customary (")
0-300	0-12	±1.6	±1/16
>300-600	>12-24	±3	±1/8
>600-900	>24-36	±5	±3/16
>900-6000	>36-240	±6	±1/4
>6000	>240	±12	±1/2
ANGULAR TOL		±2°	
APPROX. WT.	69 LBS	MATERIAL	----
FINISH	----		

Copyright © 2010 UNIVERSAL
All Rights Reserved

This Document and the information contained herein constitutes proprietary property, and shall not be copied or used or disclosed without the express written consent of Universal Acoustic & Emission Technologies Inc.



UNIVERSAL
Acoustic & Emissions Technologies

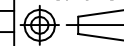
DESIGN CONTROL: STOUGHTON

SCALE: DO NOT SCALE

DESCRIPTION

12" NOM
STRAIGHT FLEX CONNECTOR

THIRD ANGLE PROJECTION



DIMENSIONAL DWG. NO:

80-3510

SHEET

1 OF 1

REV.

0

P.O. NO:

U.S. S.O. NO:

BY

DATE

NAME	DATE
DRAWN JEF	11-24-10
CHECKED TAH	3-2-11