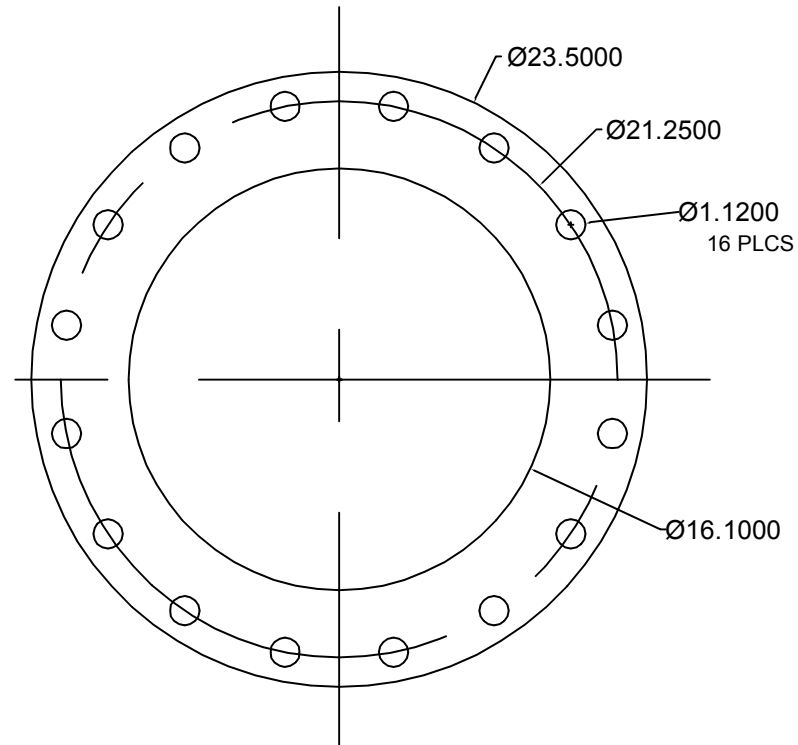
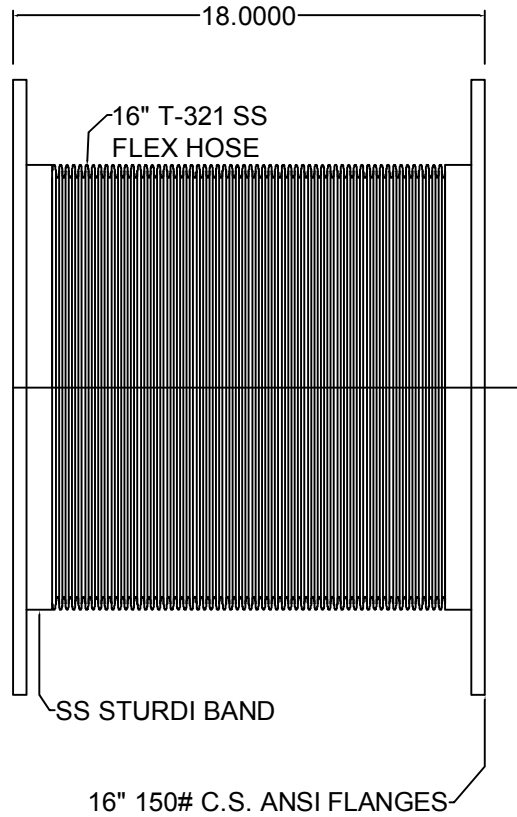


REVISION RECORD

NO.	CHANGE DESCRIPTION	DRAWN	APP'D



DIMENSIONS CERTIFIED FOR:

TOLERANCES UNLESS STATED - SEE FULL SPEC. 88-0075

	(mm)	US customary (")	(mm)	US customary (")
	0-300	0-12	±1.6	±1/16
	>300-600	>12-24	±3	±1/8
P.O. NO:	>600-900	>24-36	±5	±3/16
U.S. S.O. NO:	>900-6000	>36-240	±6	±1/4
	>6000	>240	±12	±1/2
BY	ANGULAR TOL		±2°	
DATE	APPROX. WT. 110 LBS	MATERIAL	----	
	FINISH	----		

Copyright © 2010 UNIVERSAL  
All Rights Reserved

This Document and the information contained herein constitutes proprietary property, and shall not be copied or used or disclosed without the express written consent of Universal Acoustic & Emission Technologies Inc.



**UNIVERSAL**  
Acoustic & Emissions Technologies

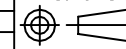
DESIGN CONTROL: STOUGHTON

SCALE: DO NOT SCALE

DESCRIPTION

16" NOM  
FLANGE FIXED

THIRD ANGLE  
PROJECTION



DIMENSIONAL DWG. NO:

909288F

SHEET REV.

1 OF 1 0