



# UNIVERSAL SILENCER

A DIVISION OF NELSON INDUSTRIES, INC.  
STOUGHTON, WISCONSIN

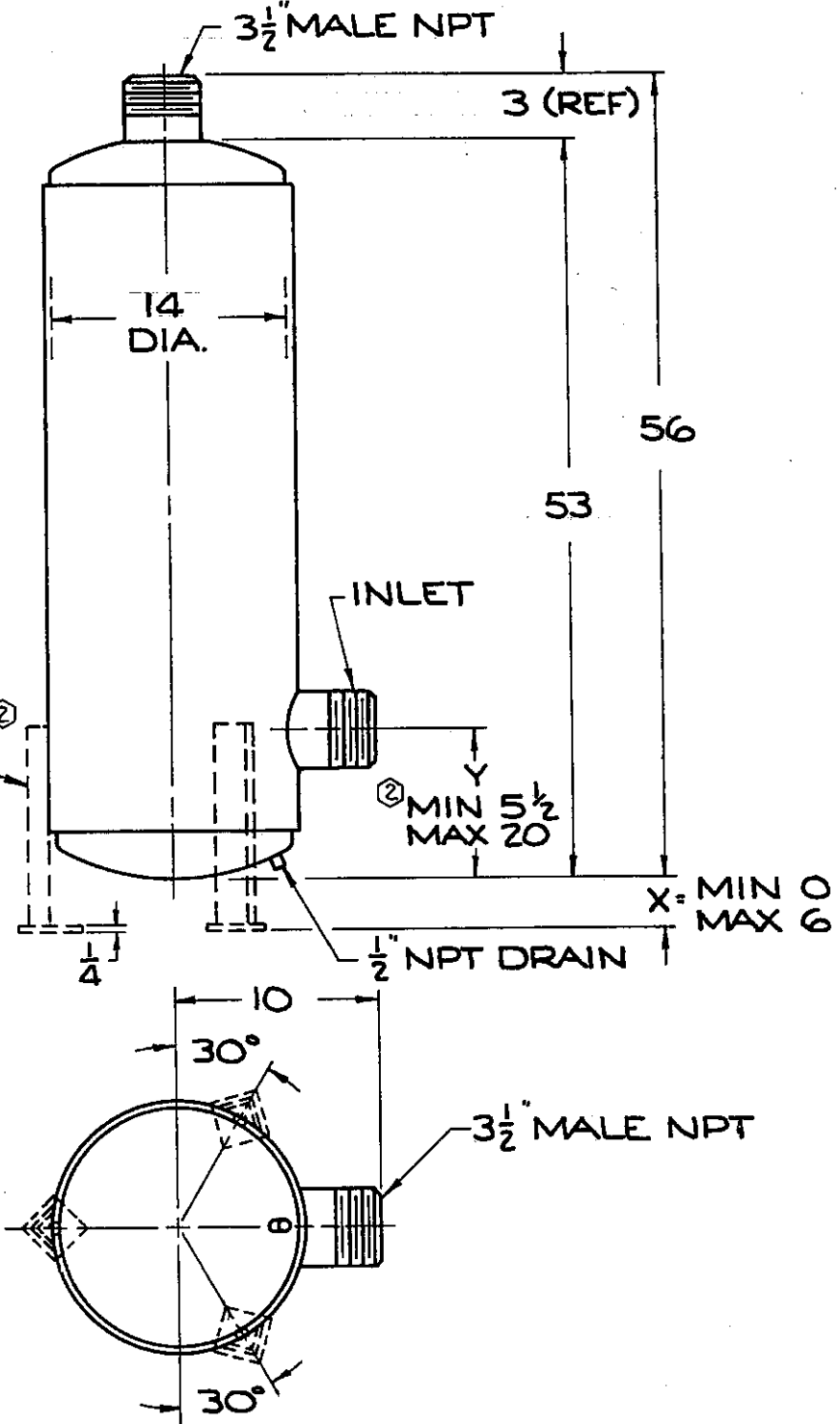
## STANDARD SURSY-3 1/2 DISCHARGE SILENCER

DATE 12-16-85

SHEET OF

SCALE NTS

NO.	②
REVISION	REDRAWN, ADDED LEGS. Y MIN WAS 6
DATE	12/16/85
BY	6/8



(3) MTG. LEGS WITH 7/8" DIA. HOLES ON 1 1/4" DIA. B.C. 2 1/2 x 2 1/2 BASE

DRAWING NO.  
A-55-B35-SS

MOUNTING LEGS

YES

NO

X DIM. = \_\_\_\_\_

Y DIM. = \_\_\_\_\_

X + Y DIM. = \_\_\_\_\_

DIMENSIONS CERTIFIED FOR:

P.O. NO: \_\_\_\_\_

U.S. S.O. NO: \_\_\_\_\_

BY \_\_\_\_\_ DATE \_\_\_\_\_

REV.	2	APPROX. WT.	90	MATERIAL	STEEL	DRAWN	<i>[Signature]</i>	DRAWING NO.	A-55-B35-SS	REV.	2
		FINISH	88-0103	HI-HEAT ALUMINUM		CHECK					