



# UNIVERSAL SILENCER

P.O. Box 411, Stoughton, Wisconsin 53589  
608-873-4272 Fax 608-873-4298

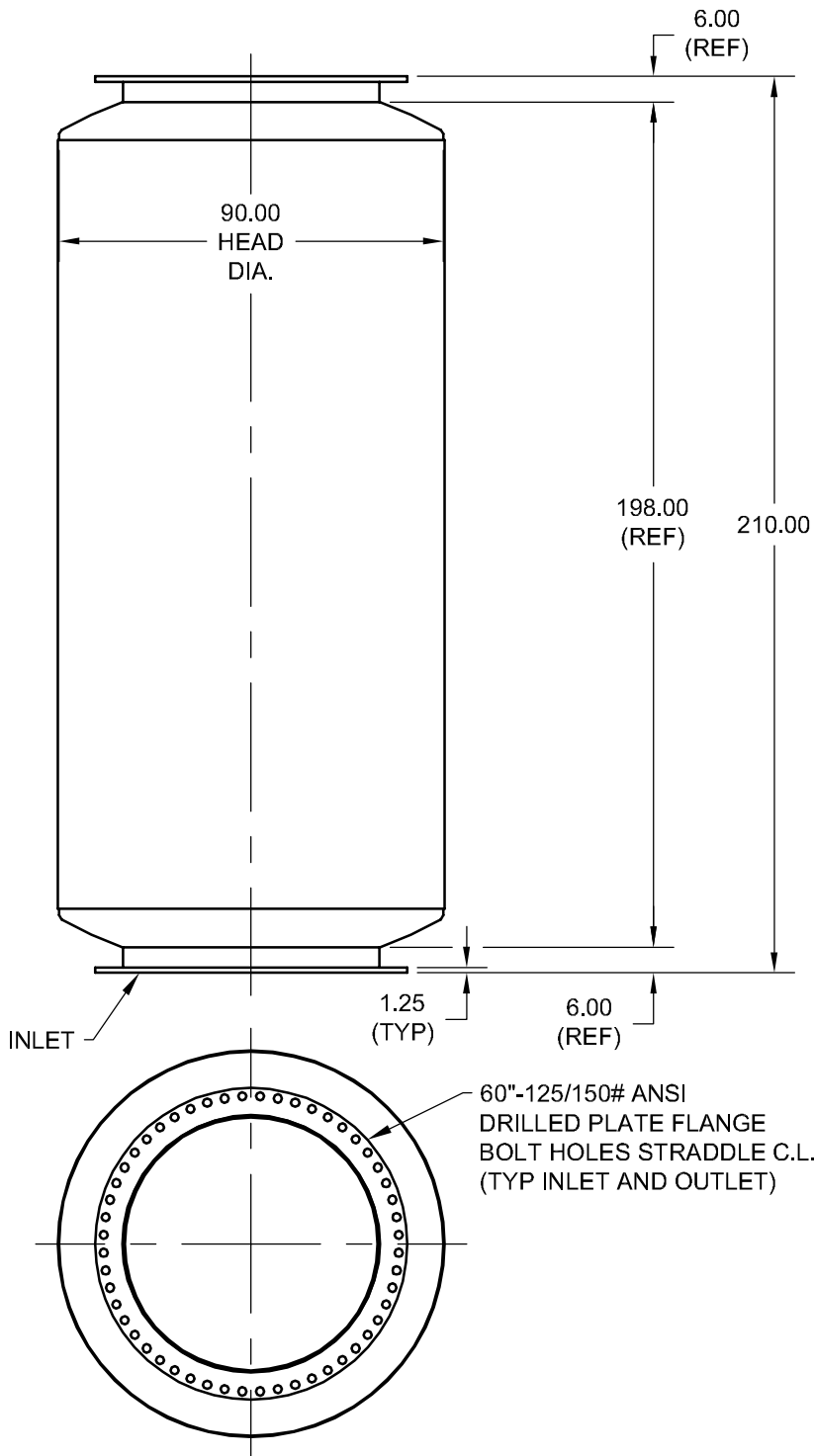
## STANDARD SU5-60 ABSORPTIVE TYPE SILENCER

DATE 08-01-06

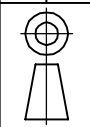
SHEET 1 OF 1

SCALE .25":1'0"

NO.	2
	REDRAWN AND UPDATED.
	REVISION
	ADE 08-01-06
	DRAWN
	JSM 08-02-06
	APP'D



This document contains CONFIDENTIAL and PROPRIETARY information of Universal Silencer. Any disclosure or unauthorized use without the express written consent of Universal Silencer is PROHIBITED.



DIMENSIONAL DRAWING NO.  
**14-160-AA**

DIMENSIONS CERTIFIED FOR:	
P.O. NO:	
U.S. S.O. NO:	
BY	

REV. <b>2</b>	APPROX WT 11,175 LBS	MATERIAL STEEL	DRAWN ADE	DIMENSIONAL DRAWING NO. <b>14-160-AA</b>	REV. <b>2</b>
	FINISH 88-0102 SHOP COAT PRIMER		CHECK JSM 08-02-06		