



# UNIVERSAL SILENCER

P.O. Box 411, Stoughton, Wisconsin 53589  
608-873-4272 Fax 608-873-4298

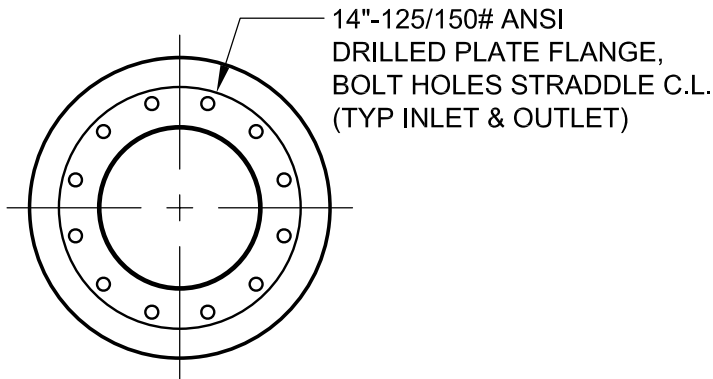
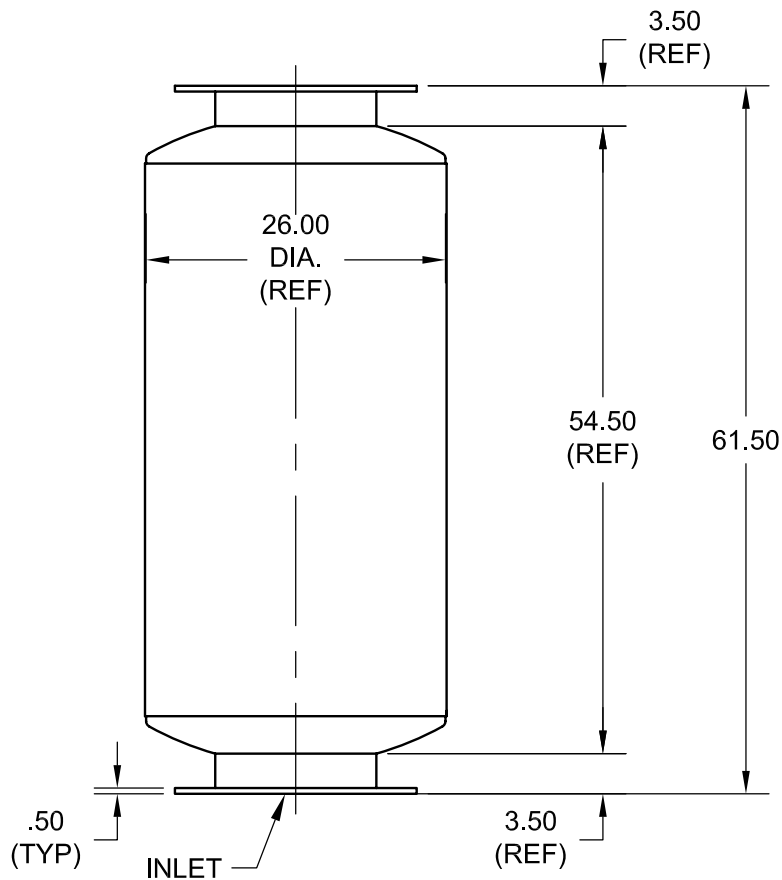
## STANDARD SU5-14 ABSORPTIVE TYPE SILENCER

DATE 7-6-05

SHEET 1 OF 1

SCALE NTS

NO.	6
REVISION	UPDATED AND REDRAWN
DRAWN	ALM 7-6-05
APP'D	JED 7-6-05



This document contains CONFIDENTIAL and PROPRIETARY information of Universal Silencer. Any disclosure or unauthorized use without the express written consent of Universal Silencer is PROHIBITED.



DIMENSIONAL DRAWING NO.

# 14-114-AA

DIMENSIONS  
CERTIFIED FOR:

P.O. NO:

U.S. S.O. NO:

BY

REV. <b>6</b>	APPROX WT	390	MATERIAL	STEEL	DRAWN	ALM	DIMENSIONAL DRAWING NO. <b>14-114-AA</b>	REV.	<b>6</b>
	FINISH	88-0102 SHOP COAT PRIMER		CHECK	JED 7-6-05				