



UNIVERSAL SILENCER

P.O. Box 411, Stoughton, Wisconsin 53589
608-873-4272 Fax 608-873-4298

STANDARD SU5-12 ABSORPTIVE TYPE SILENCER

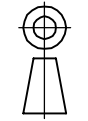
DATE 07-31-06

SHEET 1 OF 1

SCALE 1":1'0"

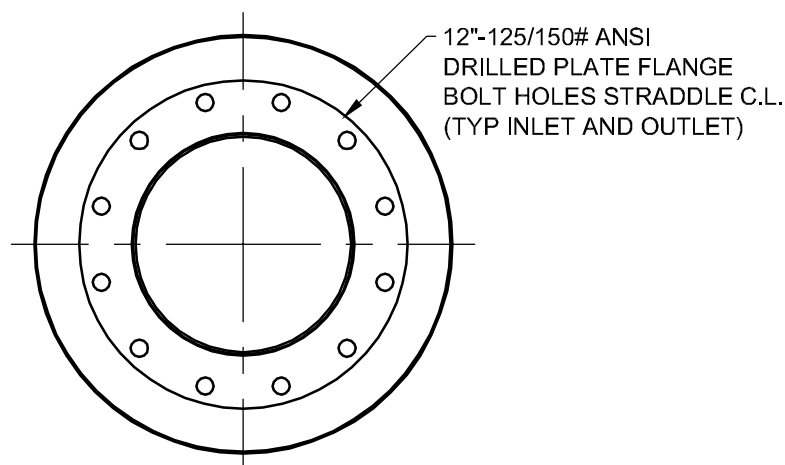
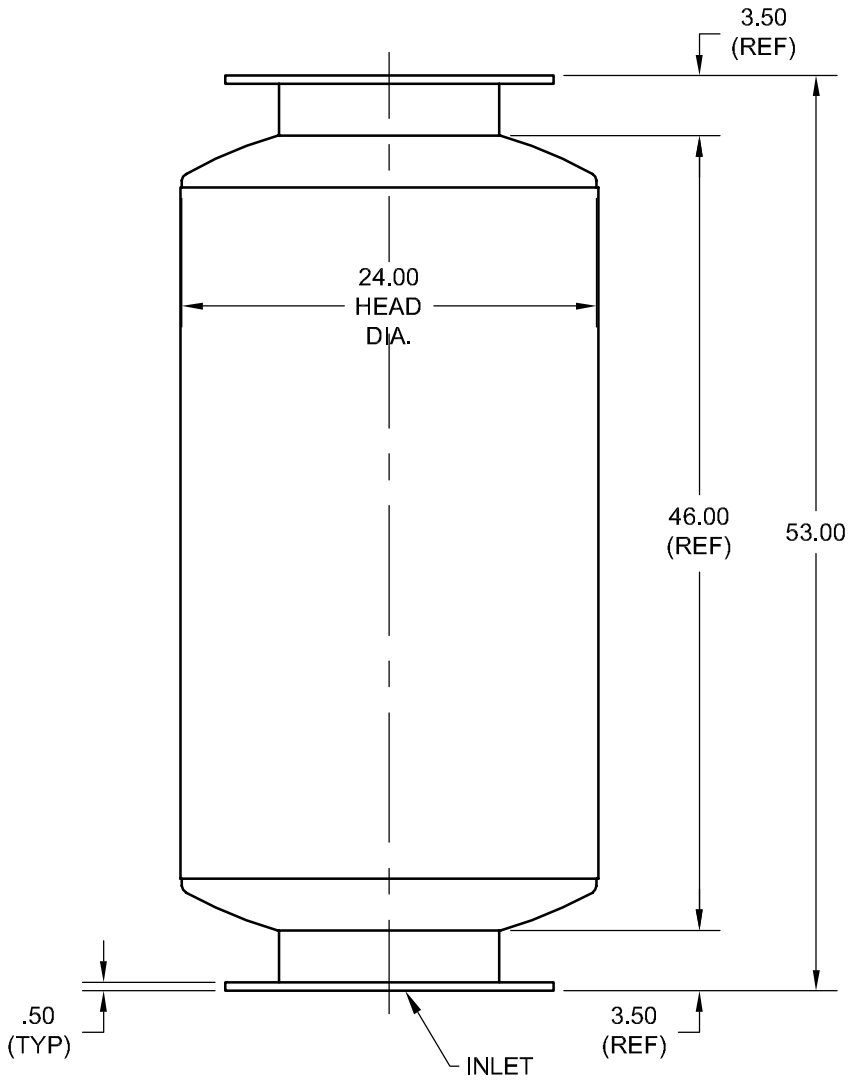
NO.	7
	REDRAWN IN AUTOCAD.
REVISION	
	ADE
DRAWN	07-31-06
	JSM
APP'D	08-02-06

This document contains CONFIDENTIAL and PROPRIETARY information of Universal Silencer. Any disclosure or unauthorized use without the express written consent of Universal Silencer is PROHIBITED.



DIMENSIONAL DRAWING NO.
14-112-AA

REV.
7



DIMENSIONS CERTIFIED FOR:		DIMENSIONAL DRAWING NO. 14-112-AA	REV. 7				
P.O. NO:							
U.S. S.O. NO:							
BY							
APPROX WT	295 LBS	MATERIAL	STEEL	DRAWN	ADE	DIMENSIONAL DRAWING NO. 14-112-AA	REV. 7
FINISH	80-0102 SHOP COAT PRIMER	CHECK	JSM 08-02-06				