



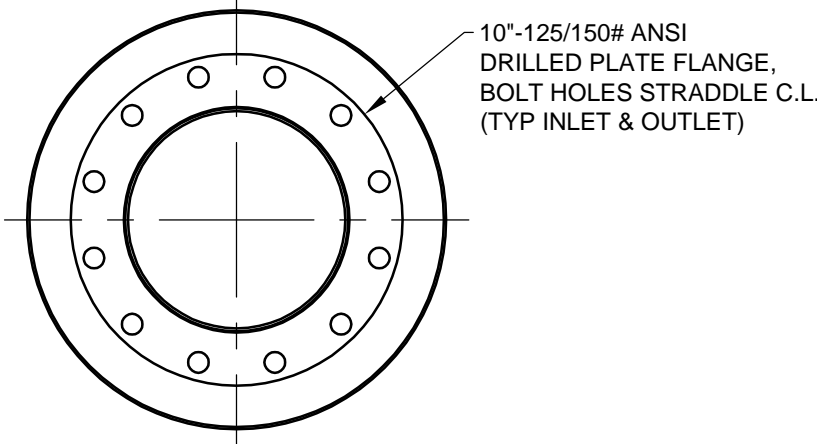
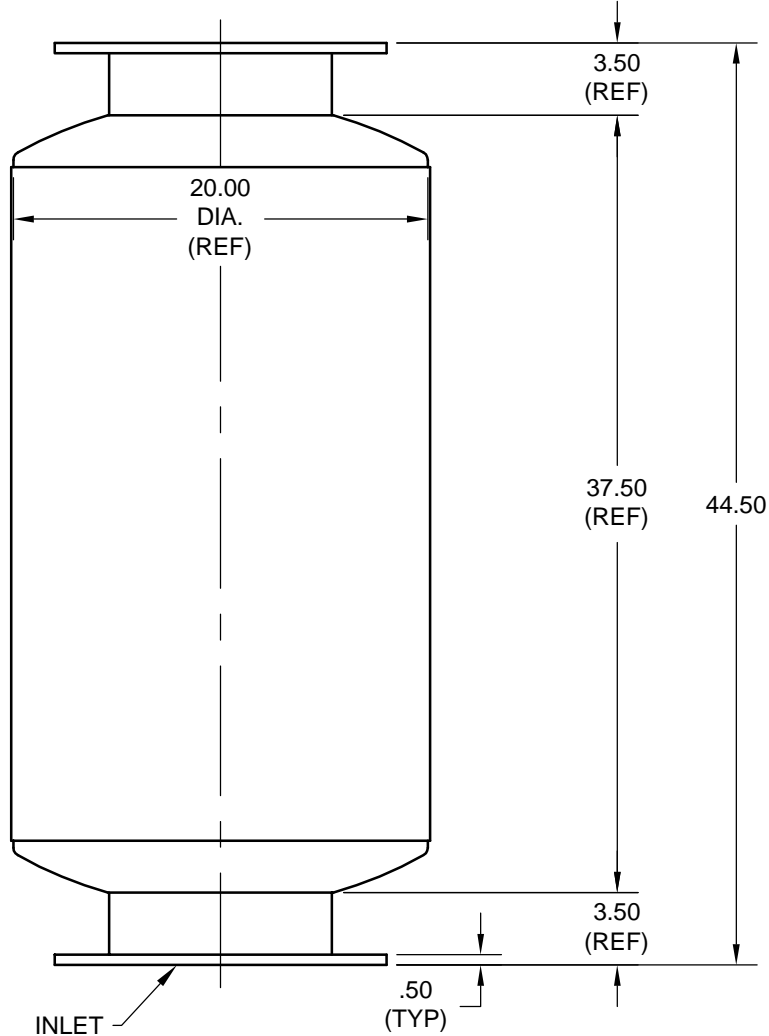
UNIVERSAL SILENCER

A FLEETGUARD COMPANY
P.O. Box 411, Stoughton, Wisconsin 53589
608-873-4272 Fax 608-873-4298

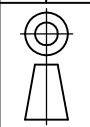
STANDARD SU5-10 ABSORPTIVE TYPE SILENCER

DATE 02-24-05
SHEET 1 OF 1
SCALE NTS

NO.	8
	REDRAWN, UPDATED.
REVISION	
	TAH
DRAWN	02-24-05
	GJP
APP'D	02-28-05



This document contains CONFIDENTIAL and PROPRIETARY information of Universal Silencer, a Division of Nelson Industries, Inc. Any disclosure or unauthorized use without the express written consent of Universal Silencer is PROHIBITED.



DIMENSIONAL DRAWING NO.
14-110-AA

DIMENSIONS CERTIFIED FOR:	
P.O. NO:	
U.S. S.O. NO:	
BY	

REV. 8	APPROX WT	200 LBS	MATERIAL	STEEL	DRAWN	TAH	DIMENSIONAL DRAWING NO. 14-110-AA	REV.	8
	FINISH	88-0102 SHOP COAT PRIMER		CHECK	GJP 02-28-05				