



# UNIVERSAL SILENCER

P.O. Box 411, Stoughton, Wisconsin 53589  
608-873-4272 Fax 608-873-4298

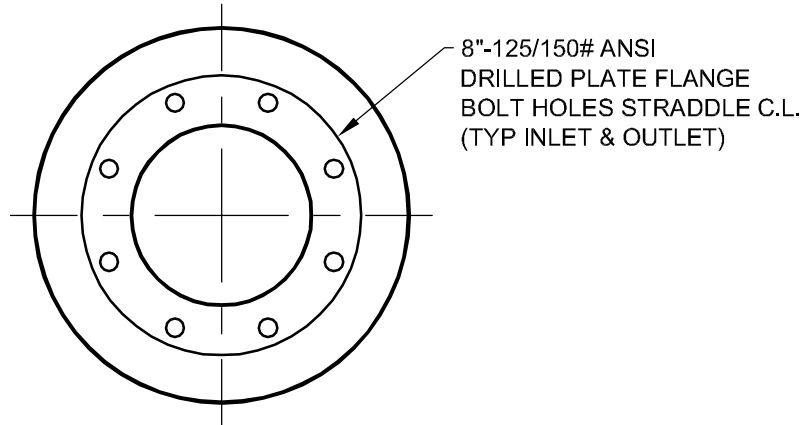
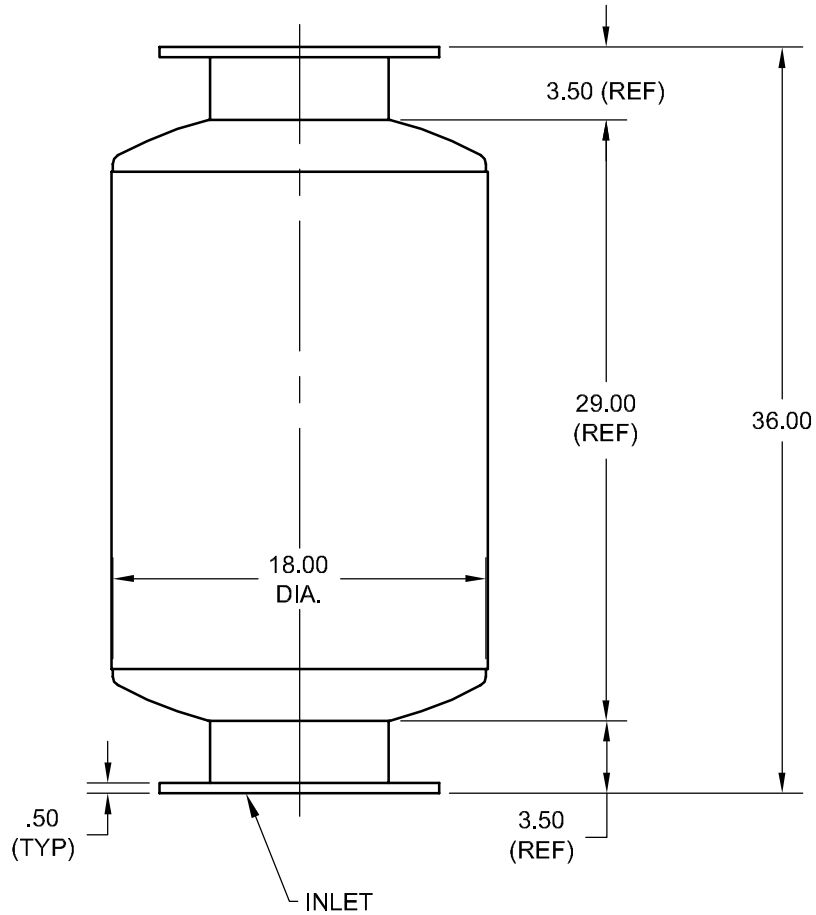
## STANDARD SU5-8 ABSORPTIVE TYPE SILENCER

DATE 07-31-06

SHEET 1 OF 1

SCALE 1":10"

NO.	9
REVISION	REDRAWN IN AUTOCAD.
DRAWN	ADE 07-31-06
APP'D	JSM 08-02-06



This document contains CONFIDENTIAL and PROPRIETARY information of Universal Silencer. Any disclosure or unauthorized use without the express written consent of Universal Silencer is PROHIBITED.



DIMENSIONAL DRAWING NO.

# 14-108-AA

DIMENSIONS CERTIFIED FOR:	
P.O. NO:	
U.S. S.O. NO:	
BY	

REV. <b>9</b>	APPROX WT	120 LBS	MATERIAL	STEEL	DRAWN	ADE	DIMENSIONAL DRAWING NO. <b>14-108-AA</b>	REV. <b>9</b>
	FINISH	80-0102 SHOP COAT PRIMER		CHECK	JSM 08-02-06			