



UNIVERSAL SILENCER

A FLEETGUARD COMPANY
P.O. Box 411, Stoughton, Wisconsin 53589
608-873-4272 Fax 608-873-4298

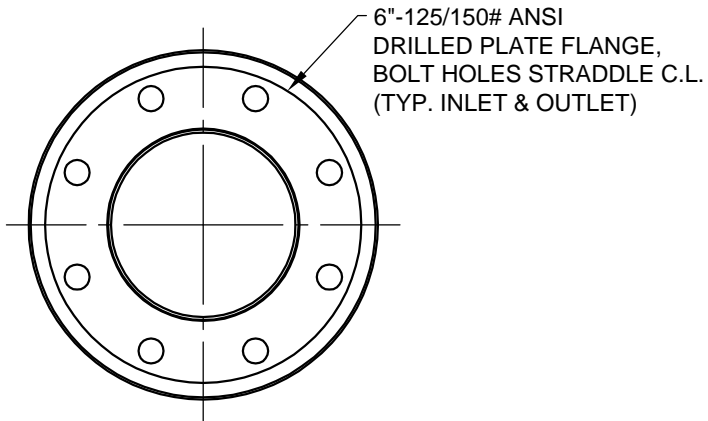
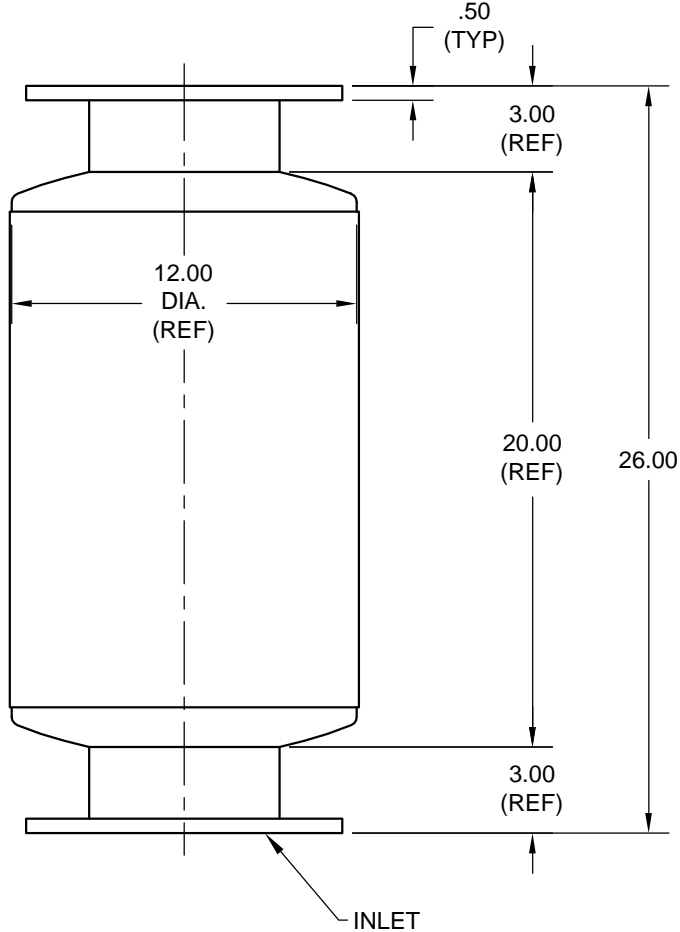
STANDARD SU5-6 ABSORPTIVE SILENCER

DATE 07-11-02

SHEET OF

SCALE NTS

5	REDRAWN ON AUTOCAD.	DY	07-11-02	CB	07-15-02
NO.	REVISION	DRAWN	APP'D		



This document contains CONFIDENTIAL and PROPRIETARY information of Universal Silencer, A Division of Nelson Industries, Inc. Any disclosure or unauthorized use without the express written consent of Universal Silencer is PROHIBITED.



DIMENSIONAL DRAWING NO.

14-106-AA

DIMENSIONS CERTIFIED FOR:	
P.O. NO:	
U.S. S.O. NO:	
BY	

5	REV.	APPROX WT 60 LBS.	MATERIAL STEEL	DRAWN DY	DIMENSIONAL DRAWING NO. 14-106-AA	REV.
		FINISH 88-0102 SHOP COAT PRIMER		CHECK CB 07-15-02		5