



UNIVERSAL SILENCER
 A FLEETGUARD COMPANY
 P.O. Box 411, Stoughton, Wisconsin 53589
 608-873-4272 Fax 608-873-4298

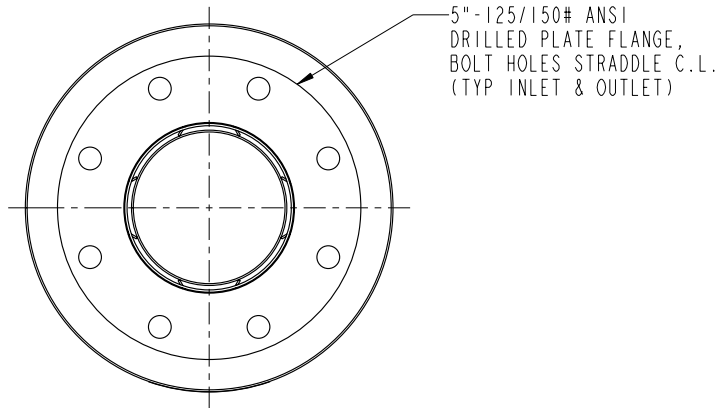
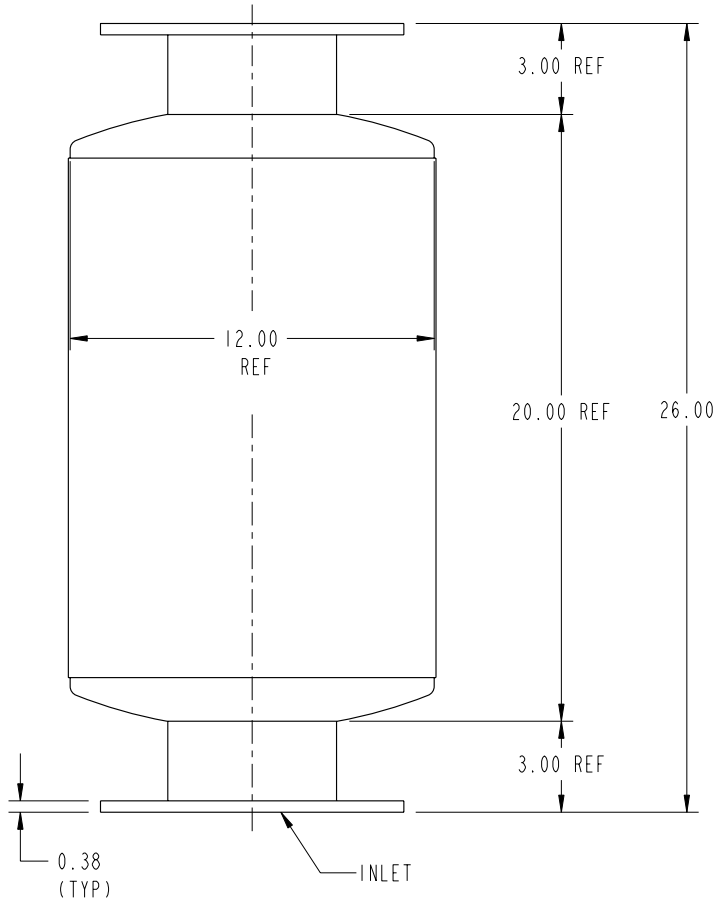
STANDARD SU5-5
 ABSORPTIVE TYPE SILENCER

DATE 1-5-05

SHEET OF

SCALE 0.160"=1"

NO.	6
REVISION	UPDATED & REDRAWN IN PRO/E
DRAWN	MCM 1-5-05
APP'D	GP 1-5-05



This document contains CONFIDENTIAL and PROPRIETARY information of Universal Silencer, a Division of Nelson Industries, Inc. Any disclosure or unauthorized use without the express written consent of Universal Silencer is PROHIBITED.



DIMENSIONAL DRAWING NO.
14-105-AA

PRO/E

DIMENSIONS CERTIFIED FOR:	
P.O. NO:	
U.S. S.O. NO:	
BY	
DRAWN MCM	DIMENSIONAL DRAWING NO.
CHECK GP 1-5-05	14-105-AA
APPROX WT 50 LBS	MATERIAL STEEL
FINISH 88-0102 SHOP COAT PRIMER	
REV. 6	REV. 6