



UNIVERSAL SILENCER
 A FLEETGUARD COMPANY
 P.O. Box 411, Stoughton, Wisconsin 53589
 608-873-4272 Fax 608-873-4298

STANDARD SU5-4
 ABSORPTIVE TYPE SILENCER

DATE 1-4-05

SHEET OF

SCALE 0.190"=1"

NO.	5
REVISION	UPDATED & REDRAWN IN PRO/E
DRAWN	MCM 1-4-05
APP'D	GP 1-4-05

This document contains CONFIDENTIAL and PROPRIETARY information of Universal Silencer, A Division of Nelson Industries, Inc. Any disclosure or unauthorized use without the express written consent of Universal Silencer is PROHIBITED.

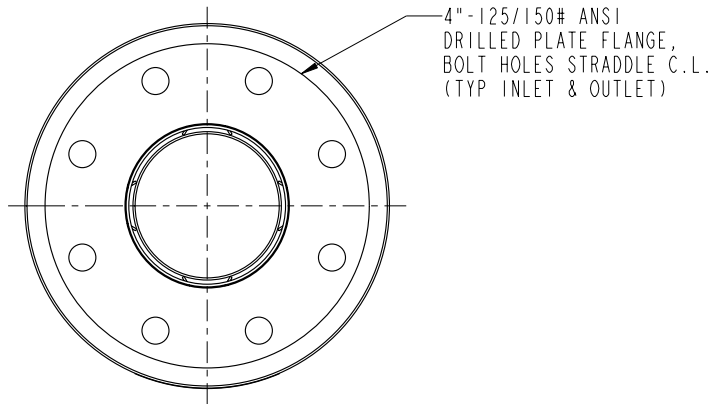
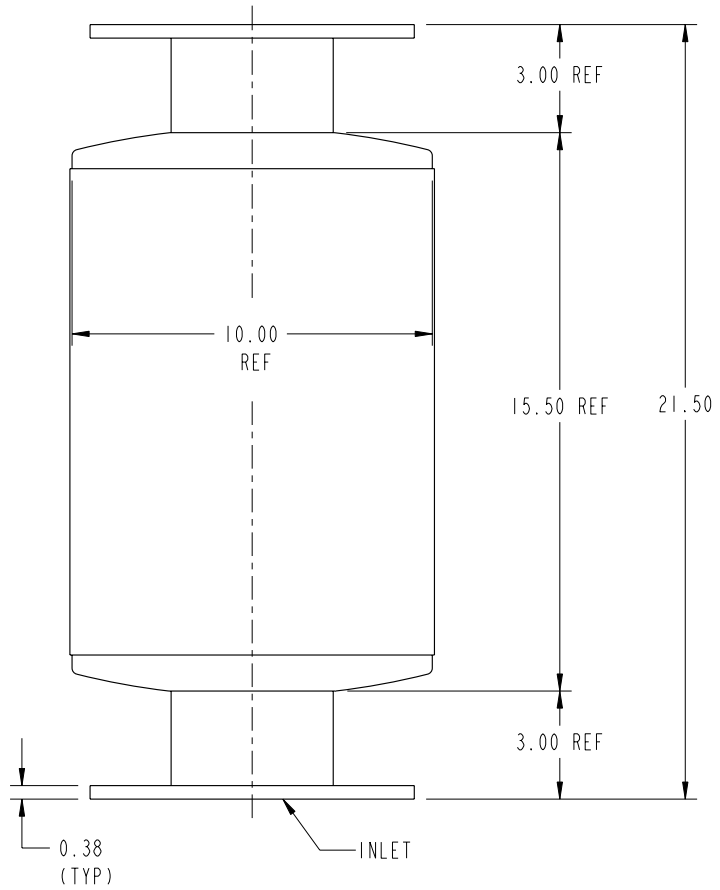


DIMENSIONAL DRAWING NO.
14-104-AA

REV.
5

APPROX WT	30 LBS	MATERIAL	STEEL
FINISH	88-0102 SHOP COAT PRIMER		

DIMENSIONS CERTIFIED FOR:		
P.O. NO:		
U.S. S.O. NO:		
BY		
DRAWN	MCM	DIMENSIONAL DRAWING NO. 14-104-AA
CHECK	GP 1-4-05	
		REV. 5



PRO/E