



UNIVERSAL SILENCER

A DIVISION OF NELSON INDUSTRIES, INC.
STOUGHTON, WISCONSIN

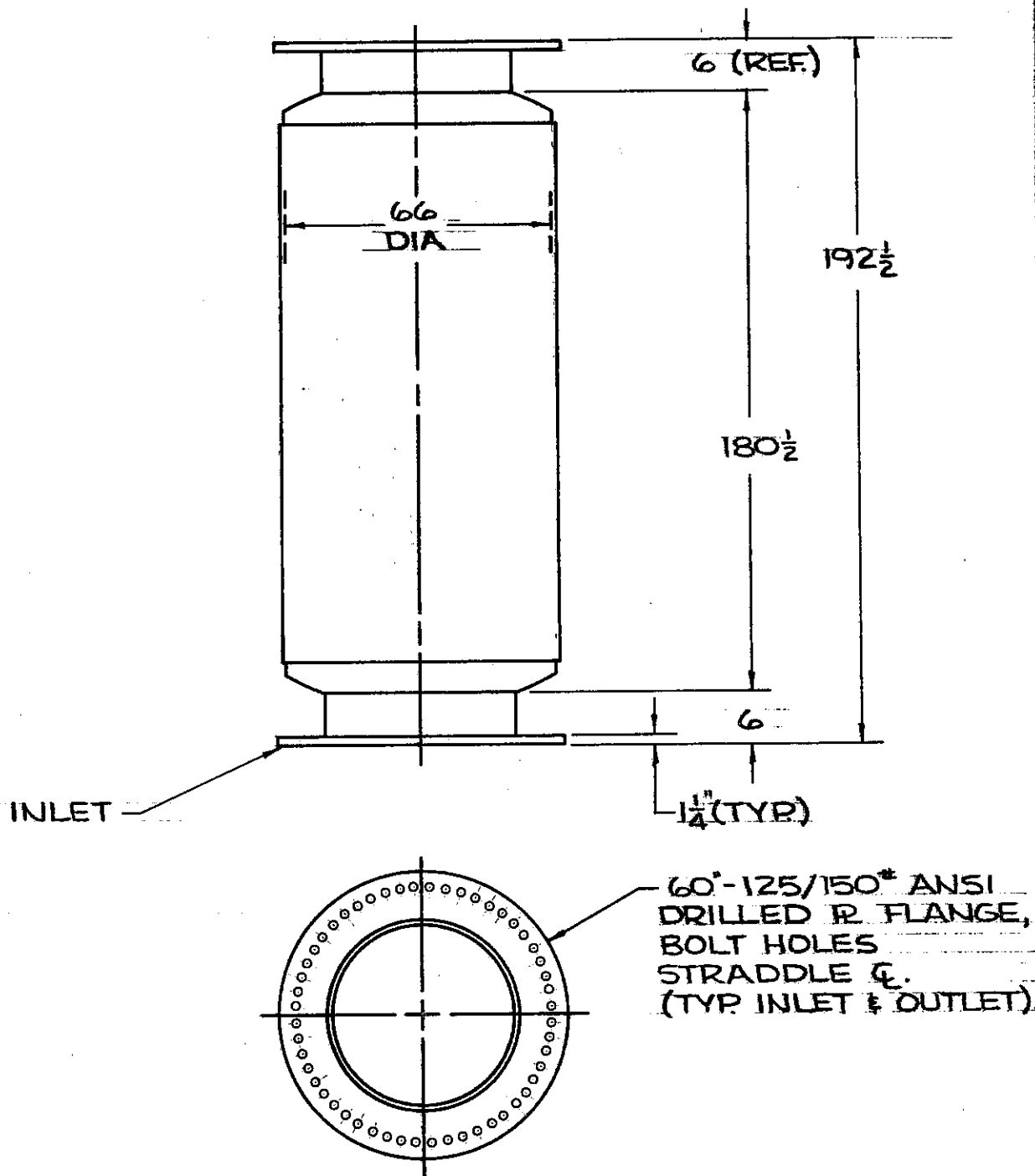
STANDARD SU4-60 ABSORPTIVE TYPE SILENCER

DATE 9-21-83

SHEET OF

SCALE NT5

NO.	②
REVISION	REDRAWN,
DATE	9/21/83
BY	AKA



DRAWING NO.
A-13-160-AA
REV. 2

DIMENSIONS CERTIFIED FOR:	
P.O. NO:	
U.S. S.O. NO:	
BY	DATE

APPROX. WT. 7300	MATERIAL STEEL	DRAWN ECK	DRAWING NO. A-13-160-AA	REV. 2
FINISH 88-0102 SHOP COAT PRIMER		CHECK AKA		