



UNIVERSAL SILENCER

A DIVISION OF NELSON INDUSTRIES, INC.

STOUGHTON, WISCONSIN

STANDARD SU4-54 ABSORPTIVE TYPE SILENCER

DATE 9-21-83

SHEET OF

SCALE NTS

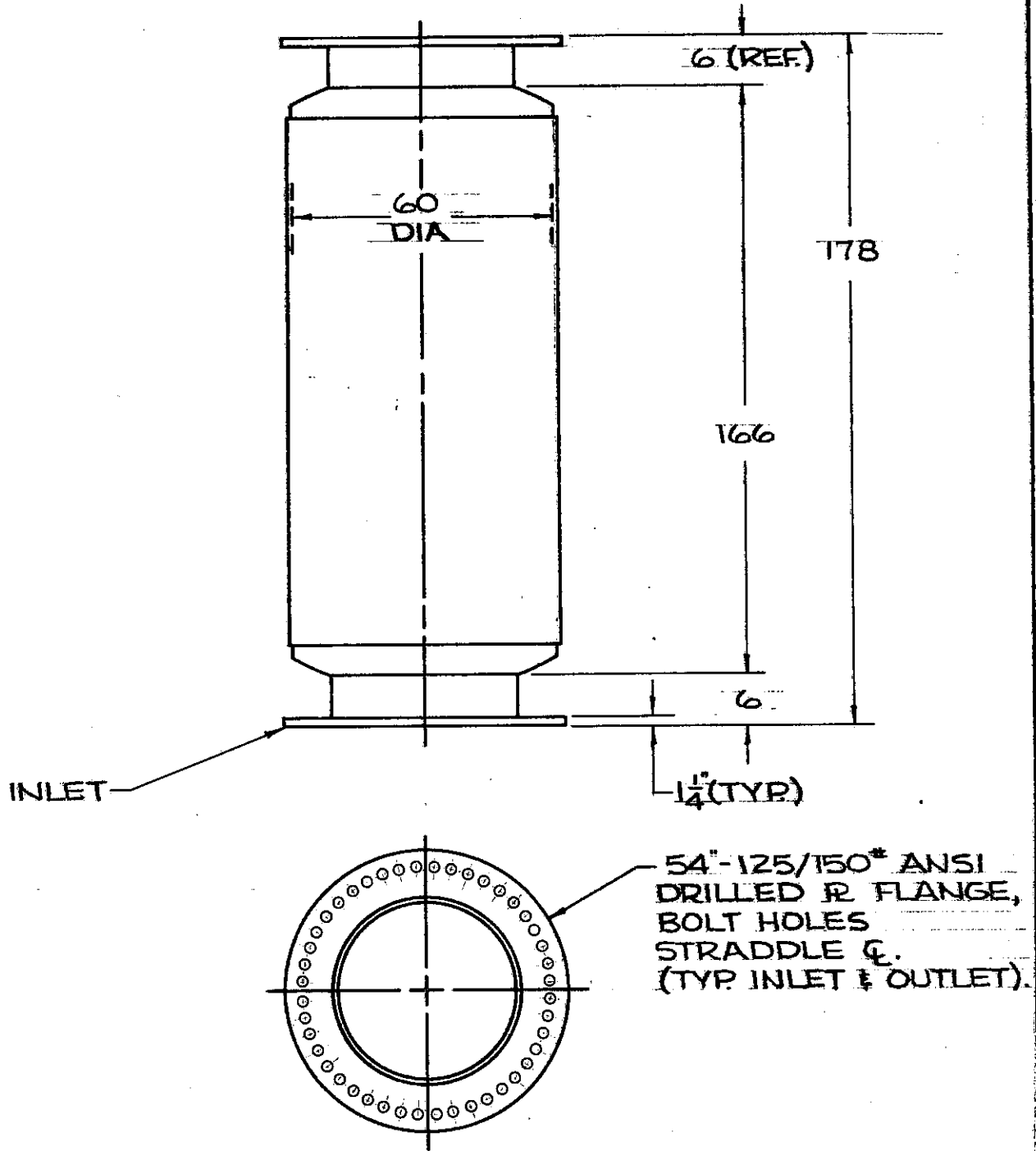
NO. 2

REVISION
REDRAWN,

REVISION

DATE 9/21/83

BY



DRAWING NO. A-13-154-AA
REV. 2

DIMENSIONS CERTIFIED FOR:	
P.O. NO:	
U.S. S.O. NO:	
BY	DATE

APPROX. WT. 5400	MATERIAL STEEL	DRAWN ECK	DRAWING NO. A-13-154-AA	REV. 2
FINISH 88-010Z SHOP COAT PRIMER		CHECK KPG		