



UNIVERSAL SILENCER

A DIVISION OF NELSON INDUSTRIES, INC.
STOUGHTON, WISCONSIN

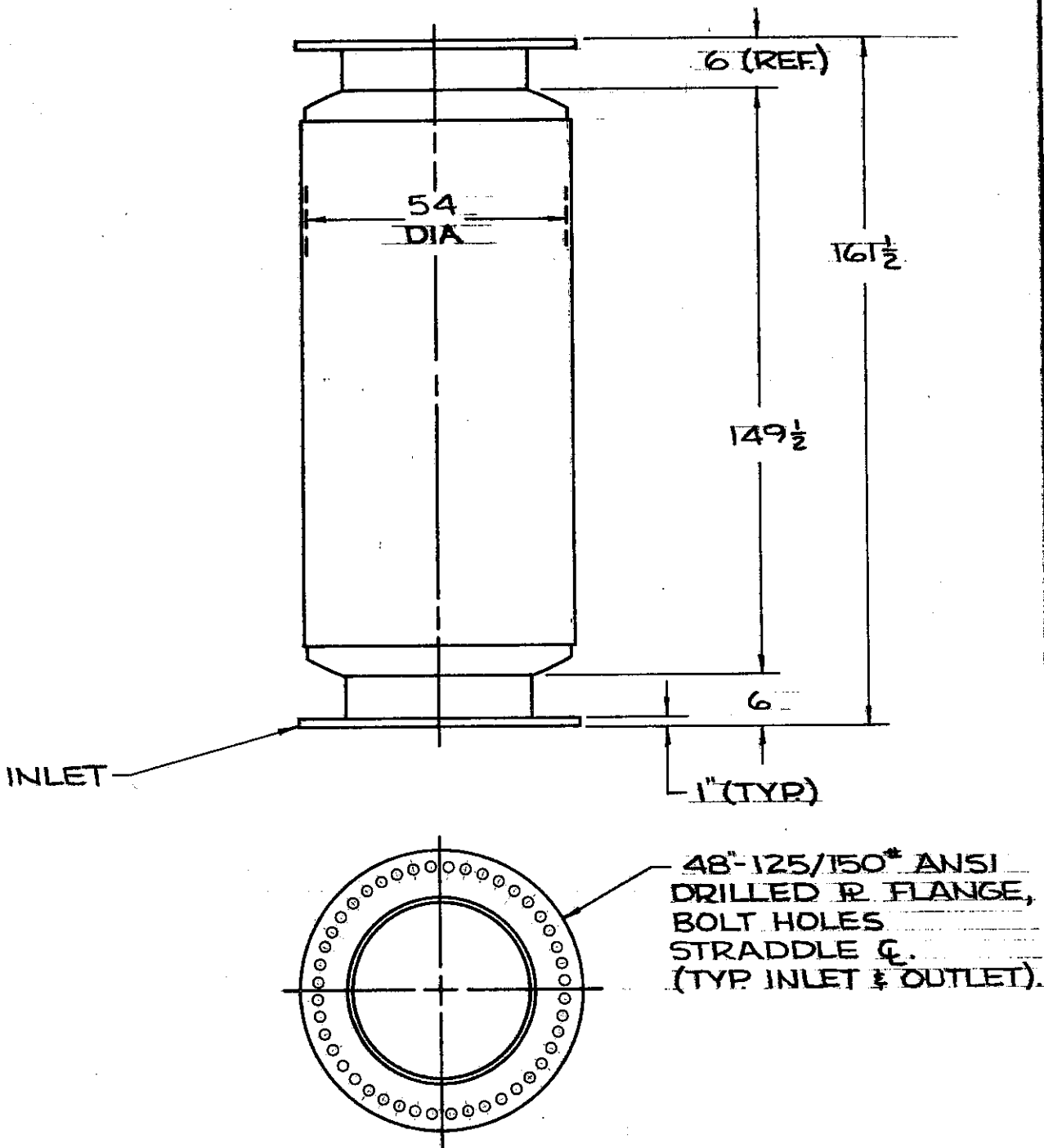
STANDARD SU4-48 ABSORPTIVE TYPE SILENCER

DATE 9-21-83

SHEET OF

SCALE NTS

NO.	②
REVISION	REDRAWN.
DATE	9/21/83
BY	ECK/RG



DRAWING NO.
A-13-148-AA
REV. 2

DIMENSIONS CERTIFIED FOR:	
P.O. NO:	
U.S. S.O. NO:	
BY	DATE
DRAWN ECK	DRAWING NO.
CHECK RFG	A-13-148-AA
APPROX. WT. 4100	MATERIAL STEEL
FINISH 88-0102 SHOP COAT PRIMER	REV. 2