



UNIVERSAL SILENCER

A DIVISION OF NELSON INDUSTRIES, INC.
STOUGHTON, WISCONSIN

STANDARD SU4-42 ABSORPTIVE TYPE SILENCER

DATE 9-20-83

SHEET OF

SCALE NTS

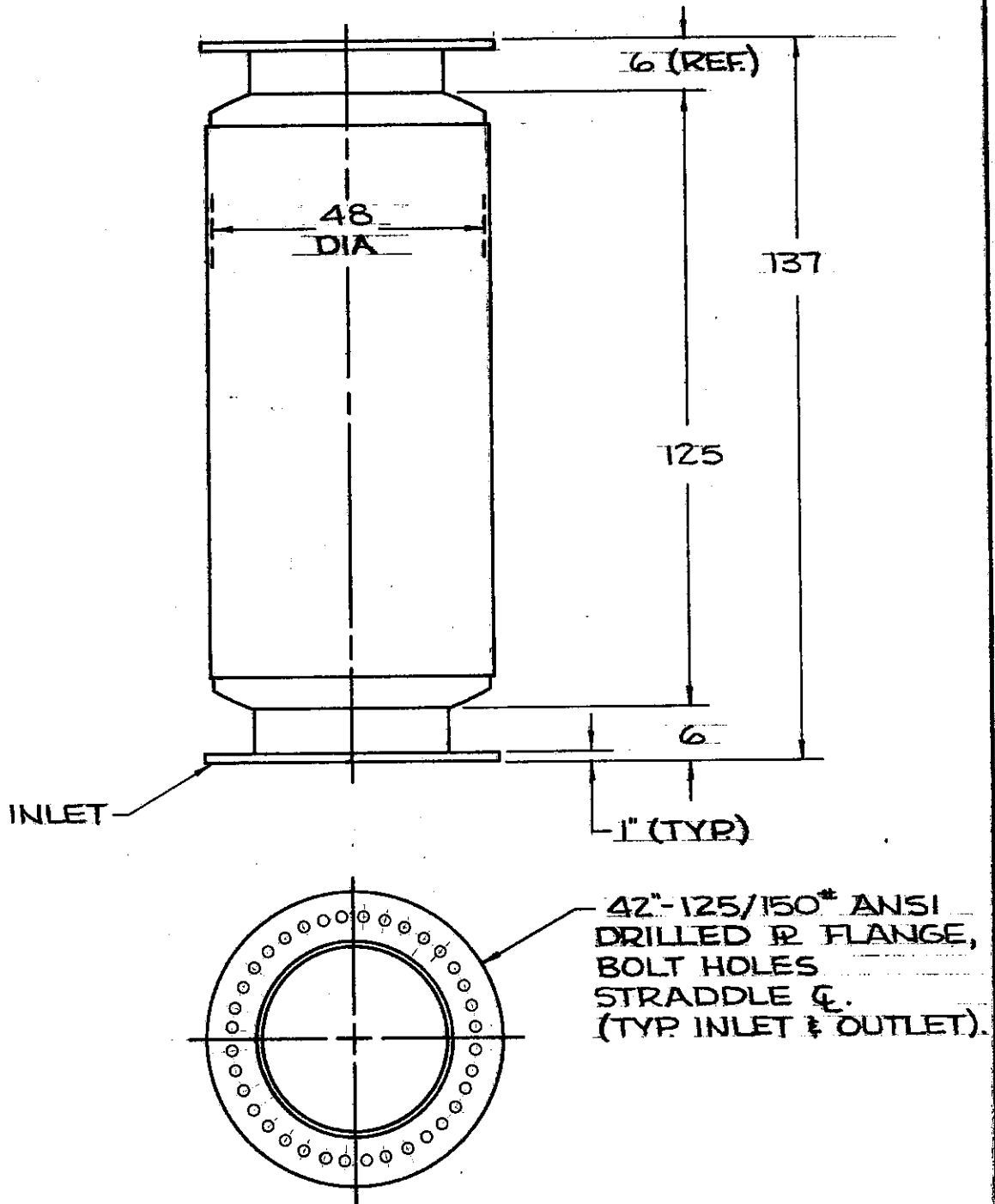
NO. 2

REDRAWN,

REVISION

DATE 9/20/83

BY



DRAWING NO.
A-13-142-AA

DIMENSIONS CERTIFIED FOR:	
P.O. NO:	
U.S. S.O. NO:	
BY	DATE

REV. 2	APPROX. WT. 2820	MATERIAL STEEL	DRAWN ECK	DRAWING NO.	REV.
	FINISH 88-0102 SHOP COAT PRIMER	CHECK PPG		A-13-142-AA	2