



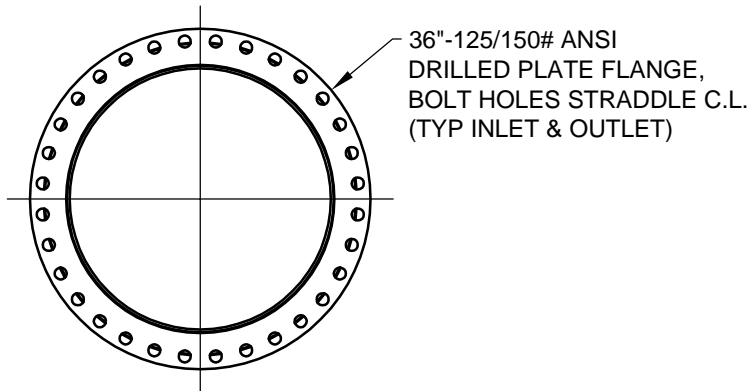
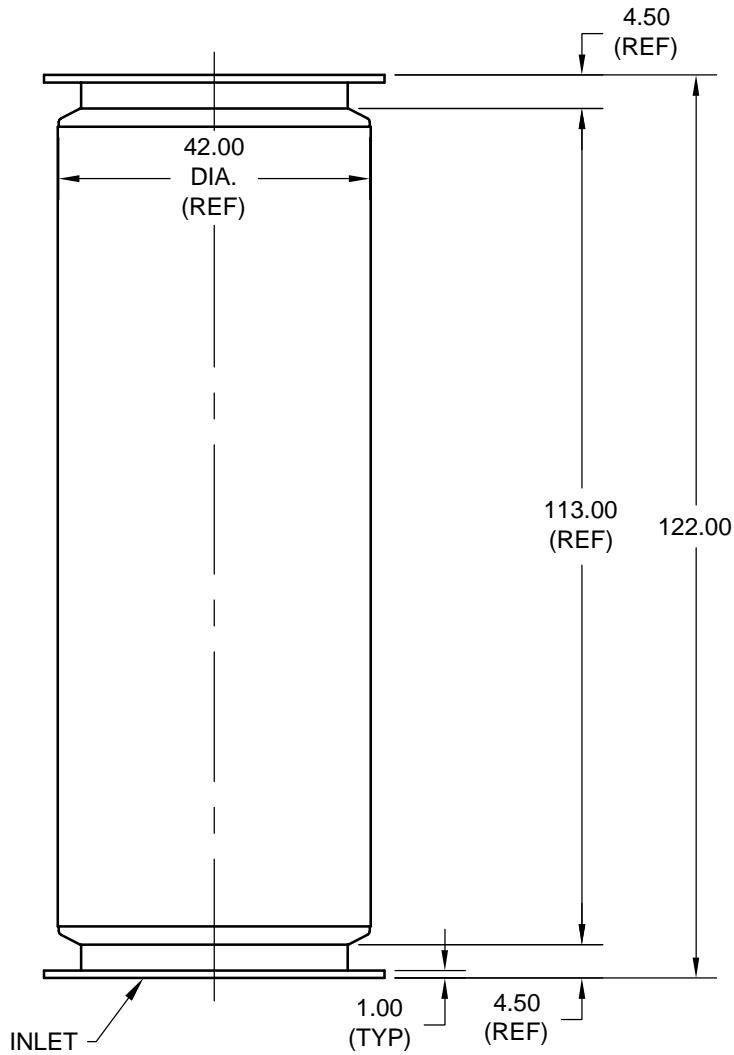
UNIVERSAL SILENCER

A FLEETGUARD COMPANY
P.O. Box 411, Stoughton, Wisconsin 53589
608-873-4272 Fax 608-873-4298

STANDARD SU4-36 ABSORPTIVE TYPE SILENCER

DATE 02-10-05
SHEET 1 OF 1
SCALE NTS

NO.	3
REVISION	REDRAWN, UPDATED.
DRAWN	TAH 02-10-05
APP'D	CB 02-11-05



This document contains CONFIDENTIAL and PROPRIETARY information of Universal Silencer, a Division of Nelson Industries, Inc. Any disclosure or unauthorized use without the express written consent of Universal Silencer is PROHIBITED.



DIMENSIONAL DRAWING NO.
13-136-AA

DIMENSIONS CERTIFIED FOR:	
P.O. NO:	
U.S. S.O. NO:	
BY	

REV. 3	APPROX WT	1995 LBS	MATERIAL	STEEL	DRAWN	TAH	DIMENSIONAL DRAWING NO. 13-136-AA	REV.	3
	FINISH	88-0102 SHOP COAT PRIMER		CHECK	CB 02-11-05				