



UNIVERSAL SILENCER

A FLEETGUARD COMPANY
P.O. Box 411, Stoughton, Wisconsin 53589
608-873-4272 Fax 608-873-4298

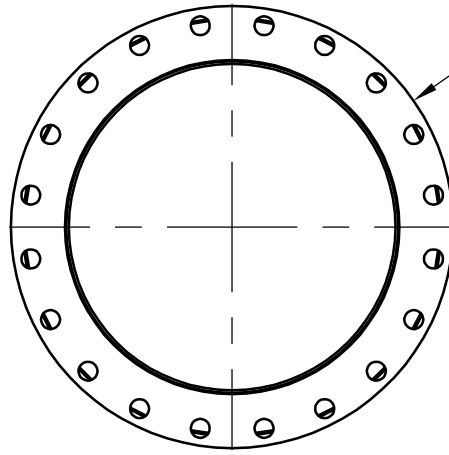
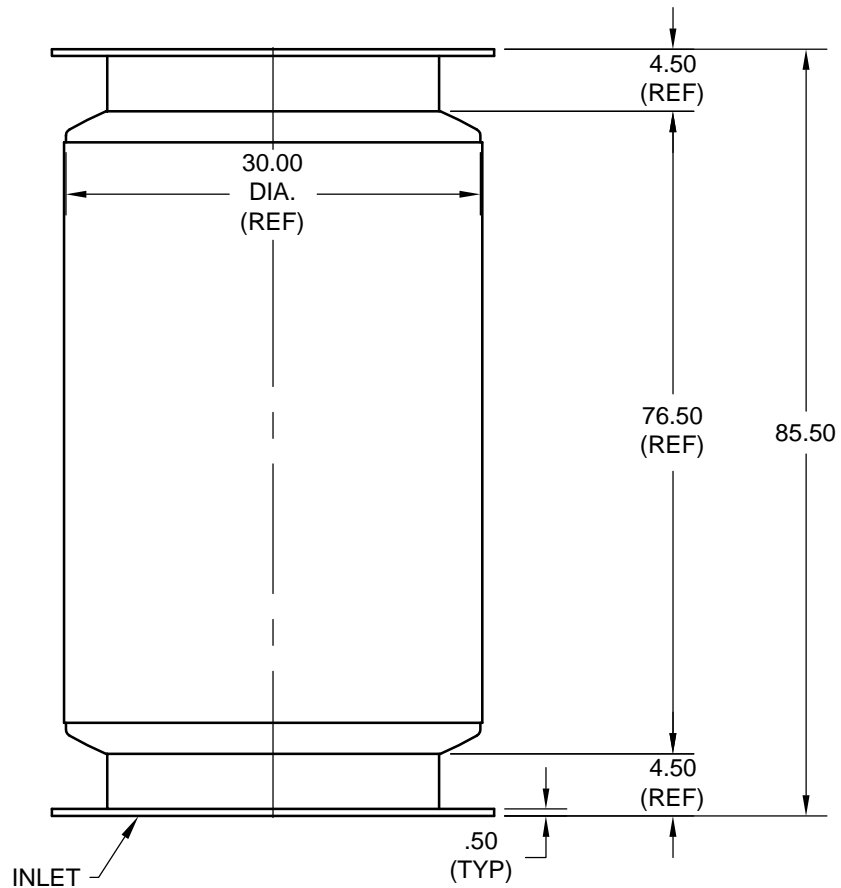
STANDARD SU4-24 ABSORPTIVE TYPE SILENCER

DATE 11-16-04

SHEET OF

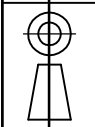
SCALE NTS

NO.	3
REVISION	REDRAWN AND UPDATED.
DRAWN	DY 11-16-04
APP'D	GJP 11-18-04



24"-125/150# ANSI
DRILLED PLATE FLANGE,
BOLT HOLES STRADDLE C.L.
(TYP INLET & OUTLET)

This document contains CONFIDENTIAL and PROPRIETARY information of Universal Silencer, a Division of Nelson Industries, Inc. Any disclosure or unauthorized use without the express written consent of Universal Silencer is PROHIBITED.



DIMENSIONAL DRAWING NO.
13-124-AA

DIMENSIONS CERTIFIED FOR:	
P.O. NO:	
U.S. S.O. NO:	
BY	

REV. 3	APPROX WT 720 LBS	MATERIAL STEEL	DRAWN DY	DIMENSIONAL DRAWING NO. 13-124-AA	REV. 3
	FINISH 88-0102 SHOP COAT PRIMER		CHECK GJP 11-18-04		