



# UNIVERSAL SILENCER

A FLEETGUARD COMPANY  
P.O. Box 411, Stoughton, Wisconsin 53589  
608-873-4272 Fax 608-873-4298

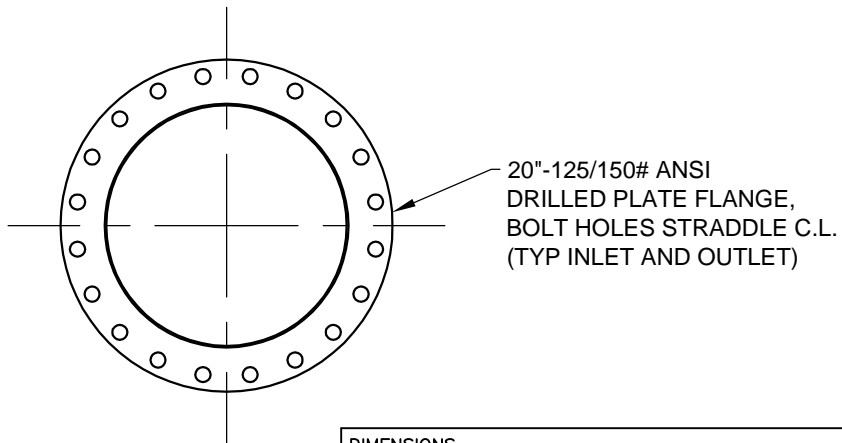
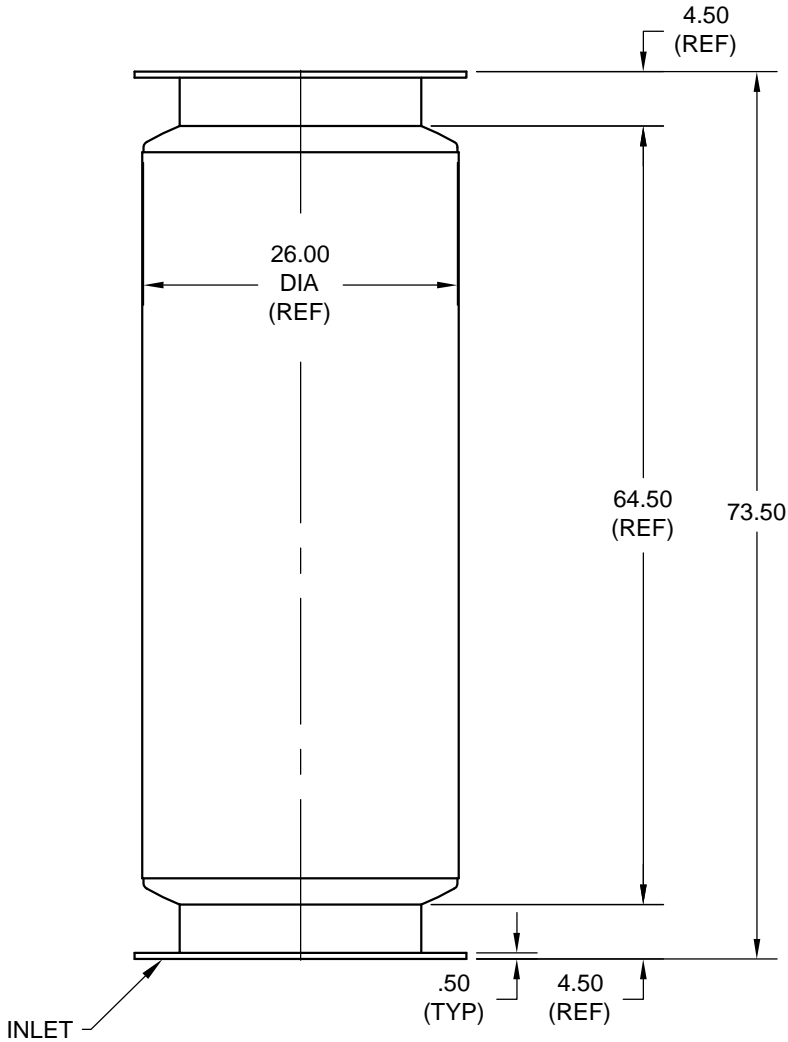
## STANDARD SU4-20 ABSORPTIVE TYPE SILENCER

DATE 02-18-04

SHEET 1 OF 1

SCALE NTS

NO.	3	REDRAWN IN AUTOCAD	MCM	2-18-04
REVISION			MCM	2-18-04
			APP'D	



This document contains CONFIDENTIAL and PROPRIETARY information of Universal Silencer, A Division of Nelson Industries, Inc. Any disclosure or unauthorized use without the express written consent of Universal Silencer is PROHIBITED.



DIMENSIONAL DRAWING NO.

13-120-AA

DIMENSIONS CERTIFIED FOR:	
P.O. NO:	
U.S. S.O. NO:	
BY	

REV. 3	APPROX WT 485 LBS.	MATERIAL STEEL	DRAWN MCM	DIMENSIONAL DRAWING NO. 13-120-AA	REV. 3
	FINISH 88-0102 SHOP COAT PRIMER		CHECK MCM 2-18-04		