



UNIVERSAL SILENCER

A FLEETGUARD COMPANY
P.O. Box 411, Stoughton, Wisconsin 53589
608-873-4272 Fax 608-873-4298

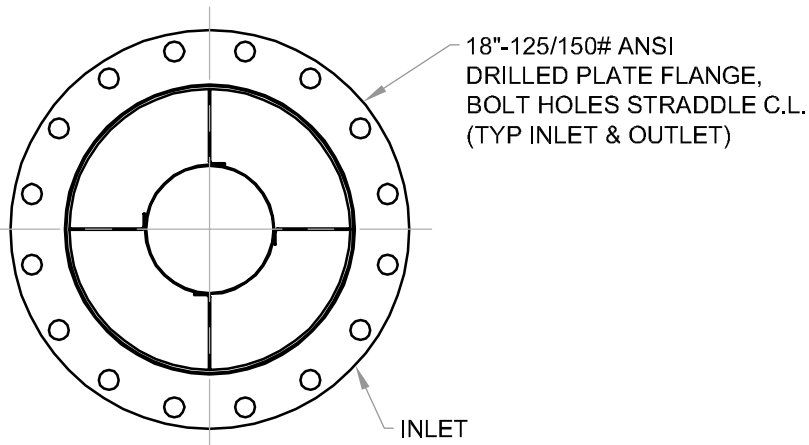
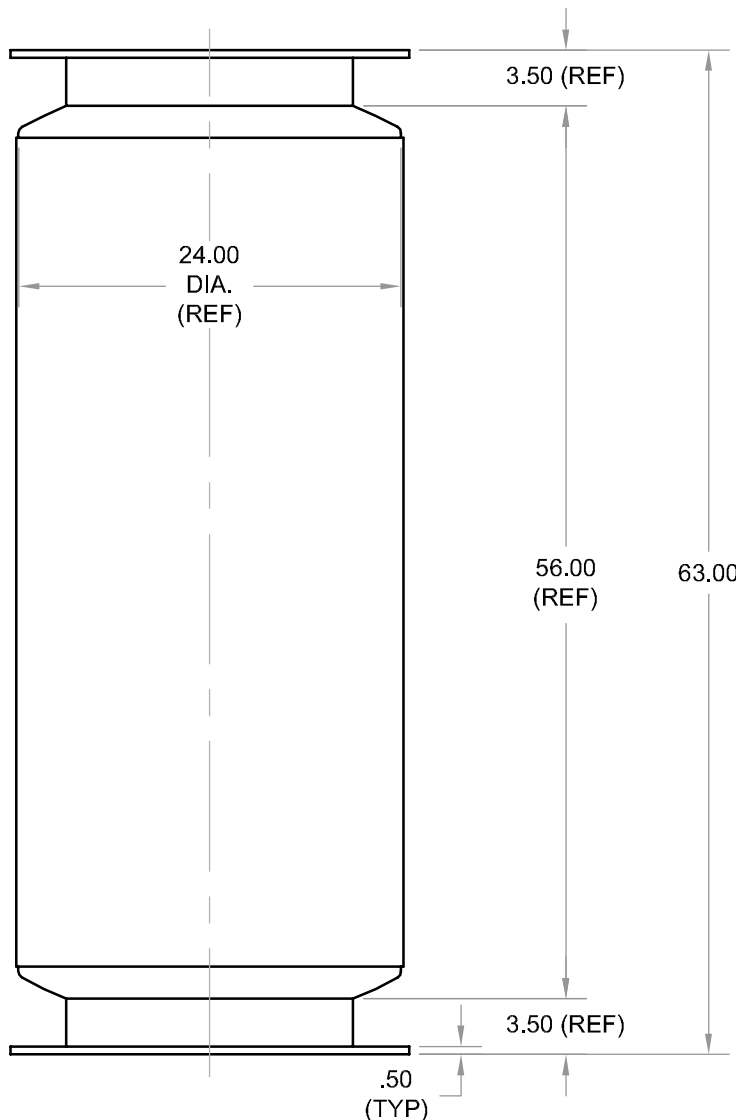
STANDARD SU4-18 ABSORPTIVE TYPE SILENCER

DATE 09-19-05

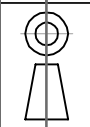
SHEET OF

SCALE NTS

NO.	4
	REDRAWN ON AUTOCAD.
	REVISION
DRAWN	SMC 09-19-05
APP'D	LM 09-20-05



This document contains CONFIDENTIAL and PROPRIETARY information of Universal Silencer, A Division of Nelson Industries, Inc. Any disclosure or unauthorized use without the express written consent of Universal Silencer is PROHIBITED.



DIMENSIONAL DRAWING NO.
13-118-AA

DIMENSIONS CERTIFIED FOR:	
P.O. NO:	
U.S. S.O. NO:	
BY	

REV. 4	APPROX WT 365 LBS	MATERIAL STEEL	DRAWN SMC	DIMENSIONAL DRAWING NO. 13-118-AA	REV. 4
	FINISH 88-0102 SHOP COAT PRIMER		CHECK LM 09-20-05		