



UNIVERSAL SILENCER

A DIVISION OF NELSON INDUSTRIES, INC.
STOUGHTON, WISCONSIN

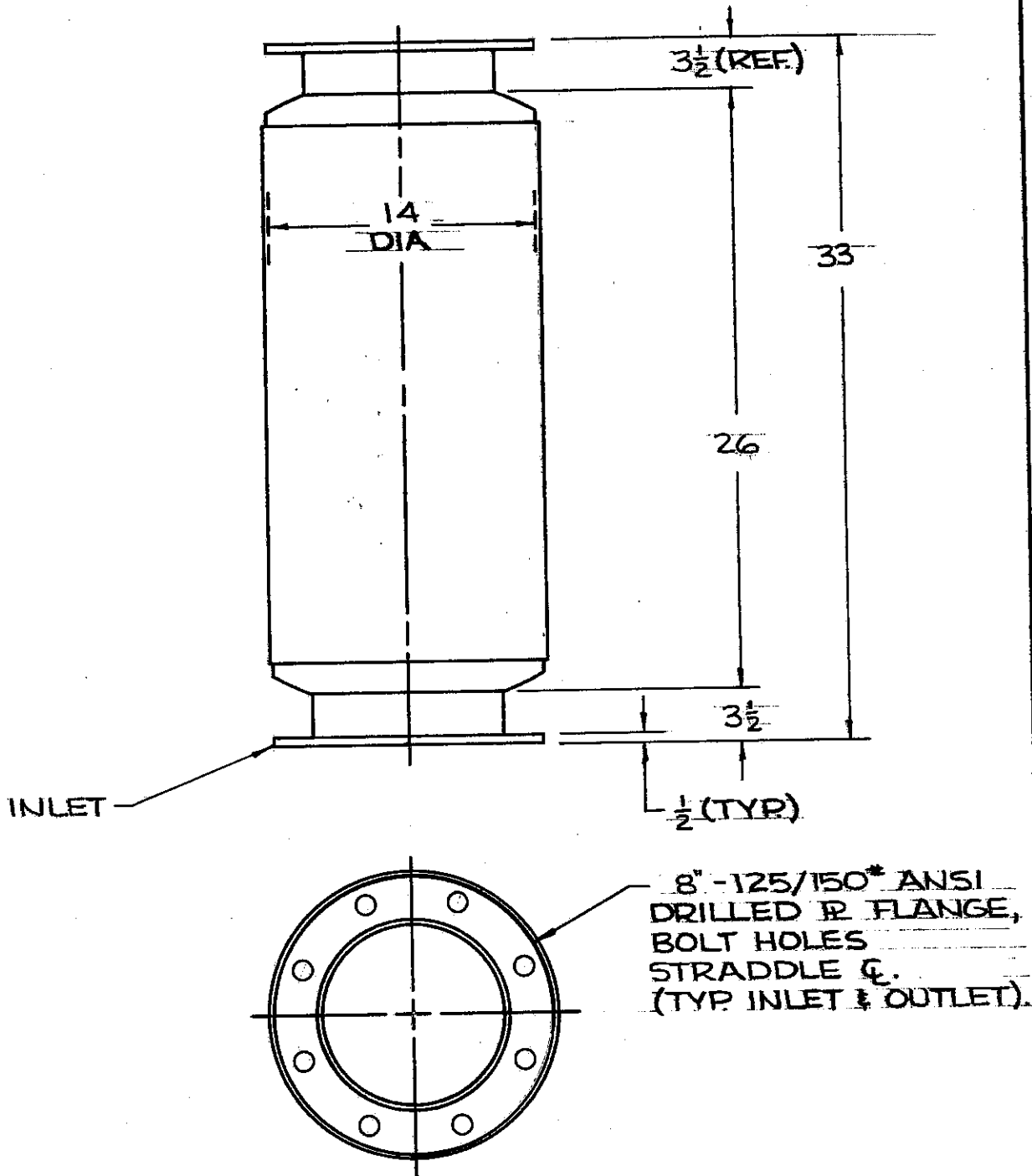
STANDARD SU4-8 ABSORPTIVE TYPE SILENCER

DATE 9-14-83

SHEET OF

SCALE NT5

NO.	②
REVISION	REDRAWN,
DATE	9/14/83
BY	ELK



DRAWING NO.
A-13-108-AA

REV.
2

DIMENSIONS CERTIFIED FOR:

P.O. NO:

U.S. S.O. NO:

BY

DATE

APPROX. WT. 90

MATERIAL STEEL

DRAWN ELK

DRAWING NO.

REV.

FINISH 88-0102 SHOP COAT PRIMER

CHECK TPG

A-13-108-AA

2