



UNIVERSAL SILENCER

A DIVISION OF NELSON INDUSTRIES, INC.
STOUGHTON, WISCONSIN

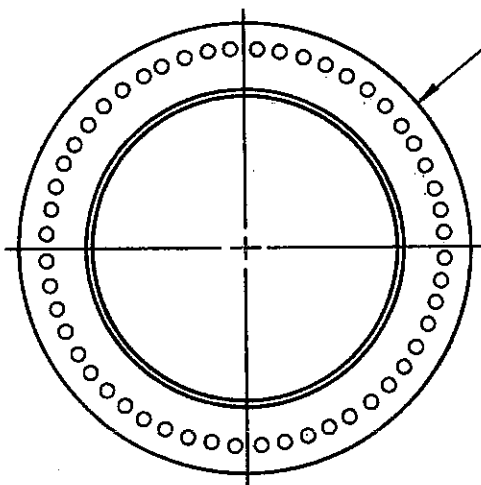
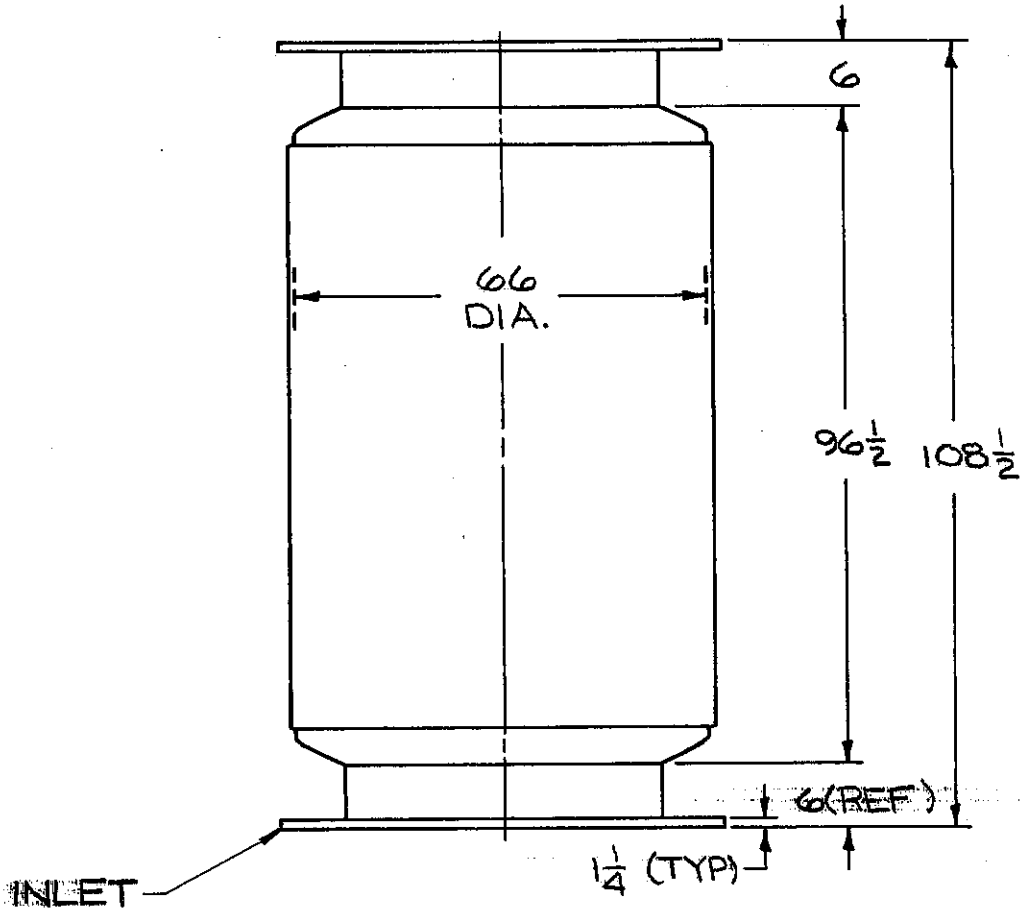
STANDARD SU3-60 ABSORPTIVE TYPE SILENCER

DATE 9-14-83

SHEET OF

SCALE NTS

NO.	2
REVISION	REDRAWN
DATE	9/14/83
BY	TRG



60"-125/150# ANSI
DRILLED R FLG, BOLT
HOLES STRADDLE C,
(TYP. INLET & OUTLET)

DRAWING NO.
A-12-160-AA

DIMENSIONS CERTIFIED FOR:	
P.O. NO:	
U.S. S.O. NO:	
BY	DATE

REV. 2	APPROX WT 4430	MATERIAL STEEL	DRAWN TRG	DRAWING NO. A-12-160-AA	REV. 2
	FINISH 88-0102 SHOP COAT PRIMER		CHECK DW		