



UNIVERSAL SILENCER

A DIVISION OF NELSON INDUSTRIES, INC.
STOUGHTON, WISCONSIN

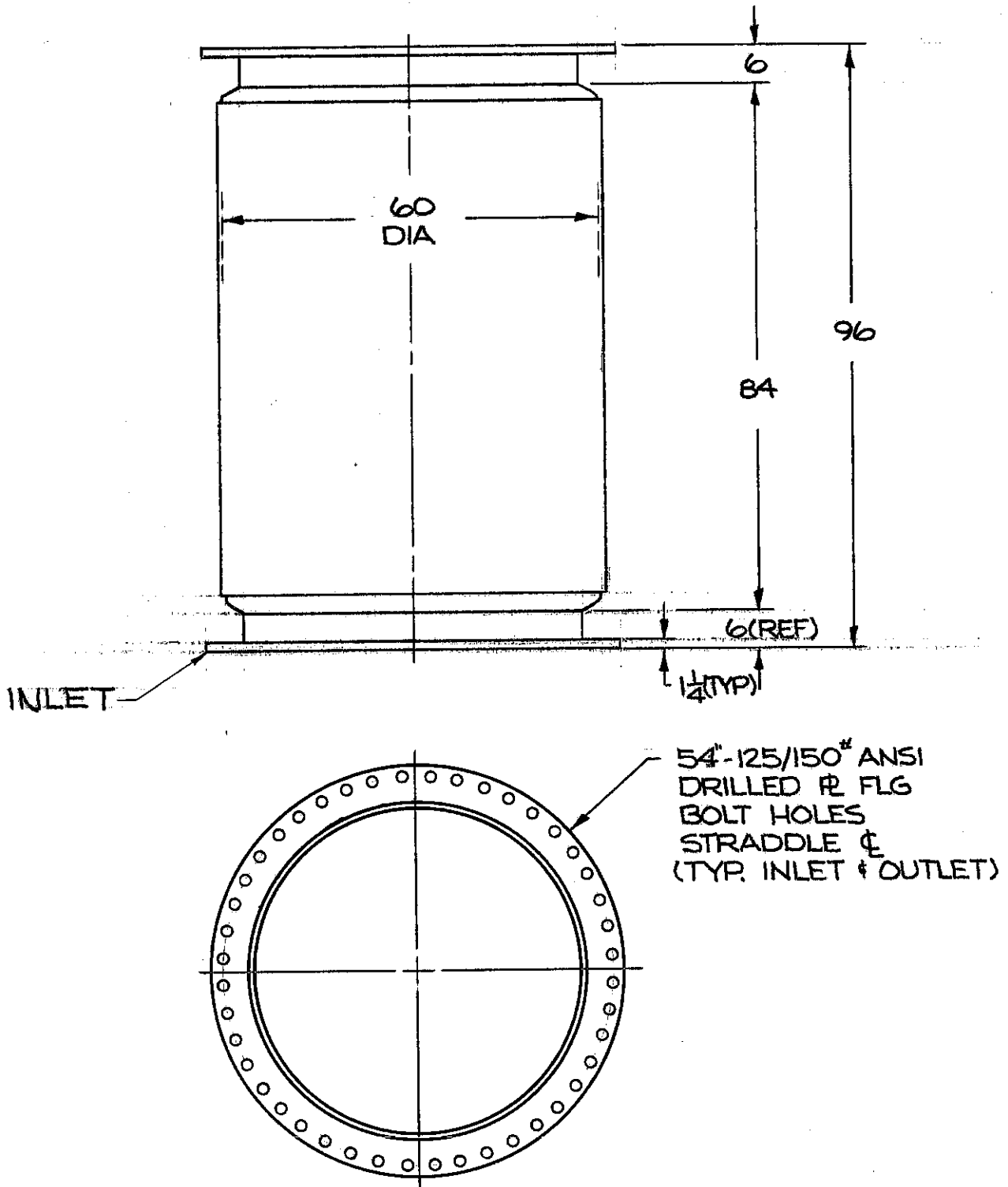
SU3-54 STANDARD ABSORPTIVE TYPE SILENCER

DATE 11-10-82

SHEET OF

SCALE NTS

NO.	2
REVISION	REDRAWN, FLG NOTATION REVISED
DATE	11/10/82
BY	SR



DRAWING NO.
A-12-154-AA
REV.
2

DIMENSIONS CERTIFIED FOR:	
P.O. NO:	
U.S. S.O. NO:	
BY	DATE
APPROX. WT. 3200	MATERIAL STEEL
FINISH 88-0102 SHOP COAT PRIMER	
DRAWN SER	DRAWING NO. A-12-154-AA
CHECK DW	REV. 2