



UNIVERSAL SILENCER

A DIVISION OF NELSON INDUSTRIES, INC.
STOUGHTON, WISCONSIN

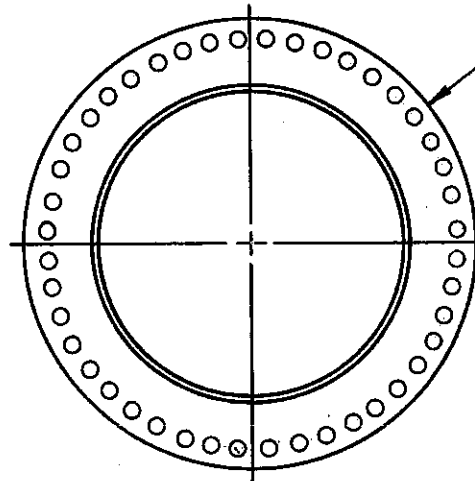
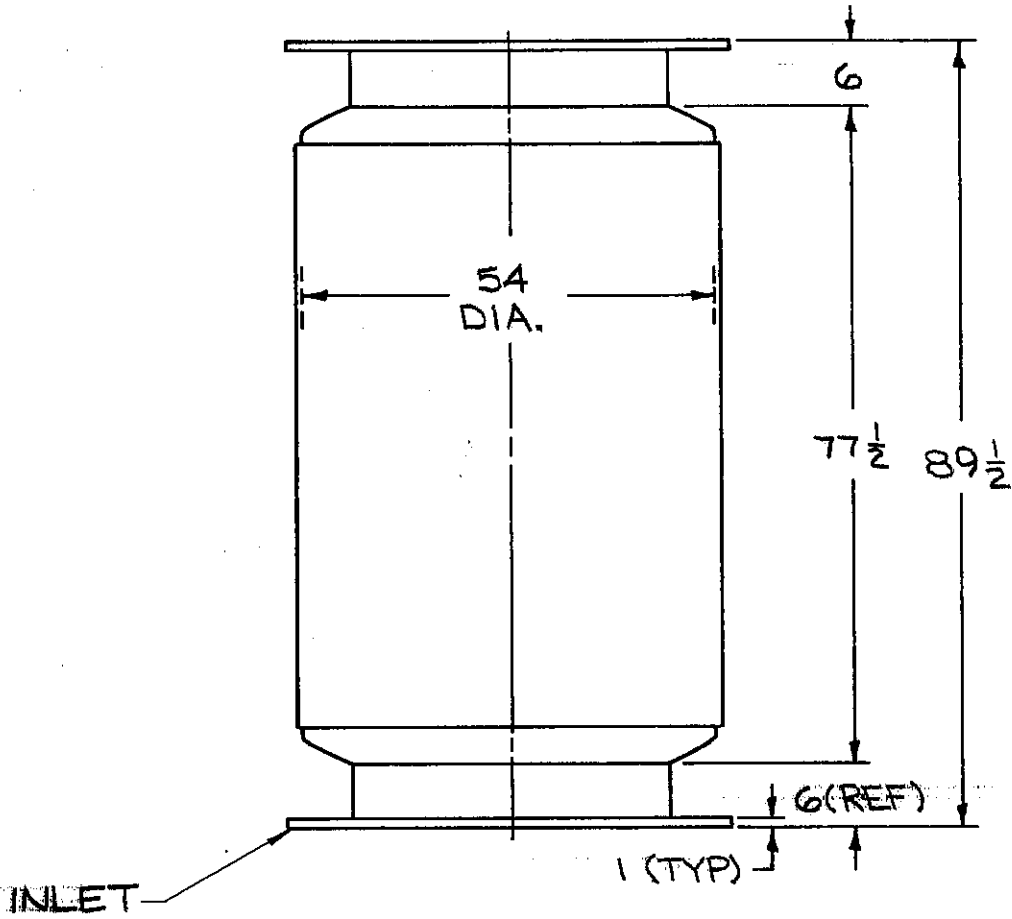
STANDARD SU3-48 ABSORPTIVE TYPE SILENCER

DATE 9-14-83

SHEET OF

SCALE NTS

NO.	2
REVISION	REDRAWN
DATE	9/14/83
BY	RPG



48"-125/150# ANSI
DRILLED FLG., BOLT
HOLES STRADDLE C
(TYP INLET & OUTLET)

DIMENSIONS
CERTIFIED FOR:

P.O. NO:

U.S. S.O. NO:

BY

DATE

DRAWN

RPG

DRAWING NO.

A-12-148-AA

CHECK

DWO

REV.

2

APPROX. WT. 2595

MATERIAL STEEL

FINISH 88-002 SHOP COAT PRIMER

DRAWING NO.
A-12-148-AA

REV.
2