



UNIVERSAL SILENCER

A DIVISION OF NELSON INDUSTRIES, INC.
STOUGHTON, WISCONSIN

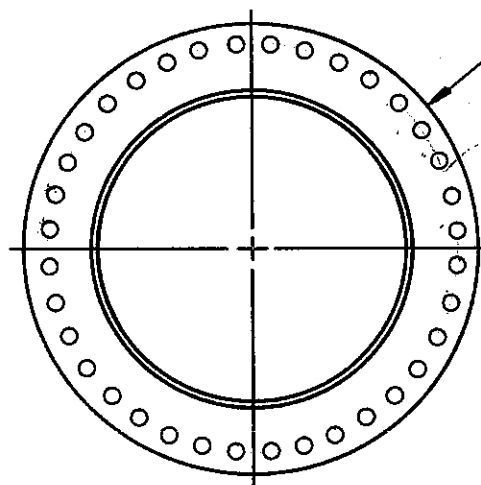
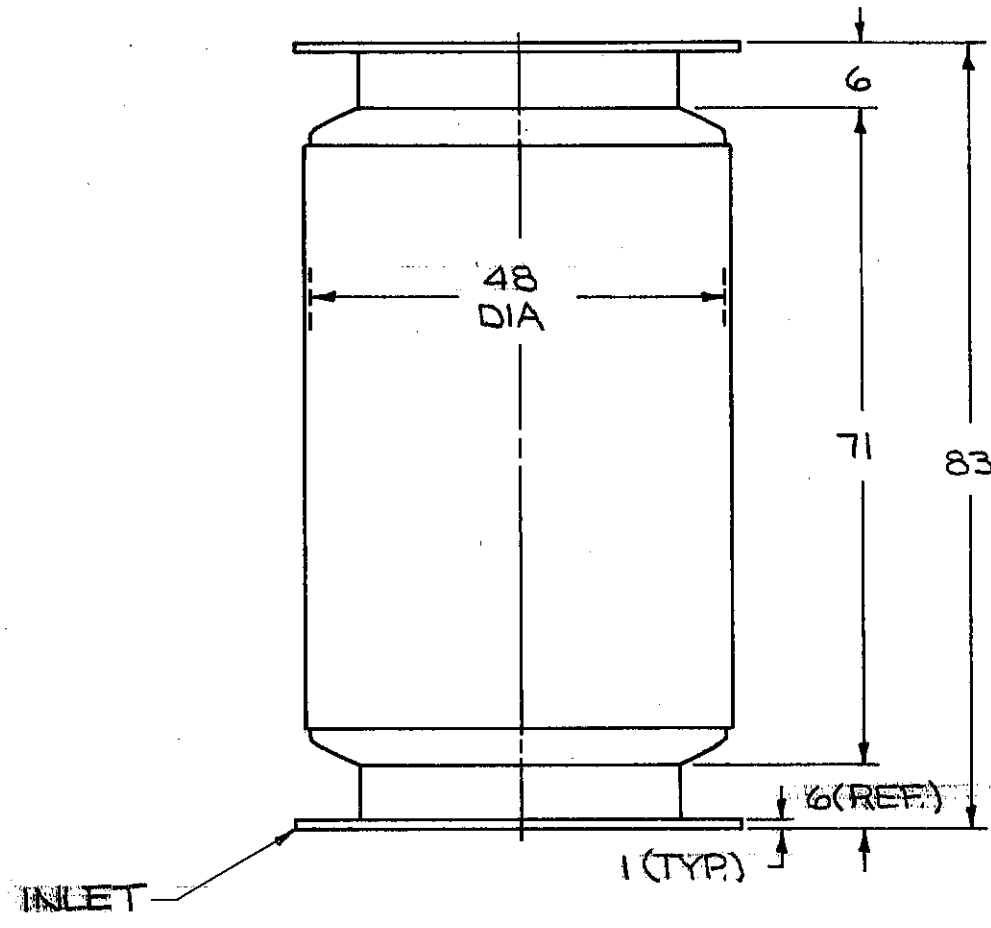
STANDARD SU3-42 ABSORPTIVE TYPE SILENCER

DATE 9-14-83

SHEET OF

SCALE NTS

NO.	2
REVISION	REDRAWN
DATE	9/14/83
BY	RPG



42"-125/150# ANSI
DRILLED R. FLG., BOLT
HOLES STRADDLE C
(TYP INLET & OUTLET)

DRAWING NO.
A-12-142-AA

DIMENSIONS CERTIFIED FOR:	
P.O. NO:	
U.S. S.O. NO:	
BY	DATE

REV. 2	APPROX. WT 3915	MATERIAL STEEL	DRAWN RPG	DRAWING NO.	REV.
	FINISH 88-010Z SHOP COAT PRIMER		CHECK DWO	A-12-142-AA	2