



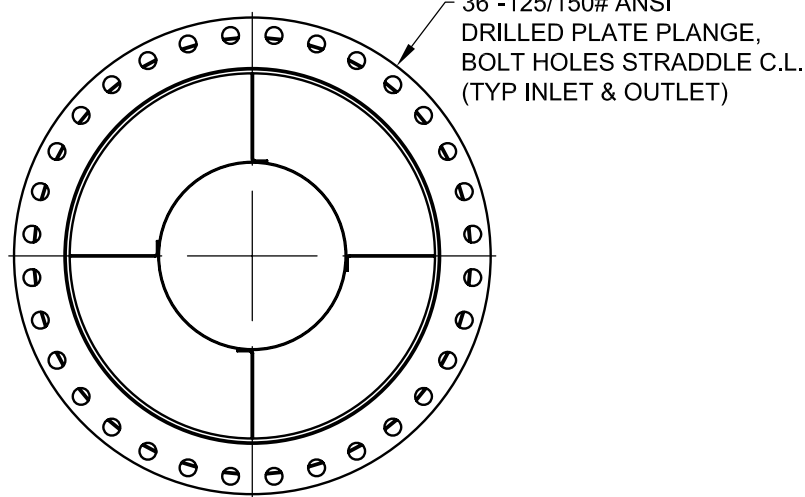
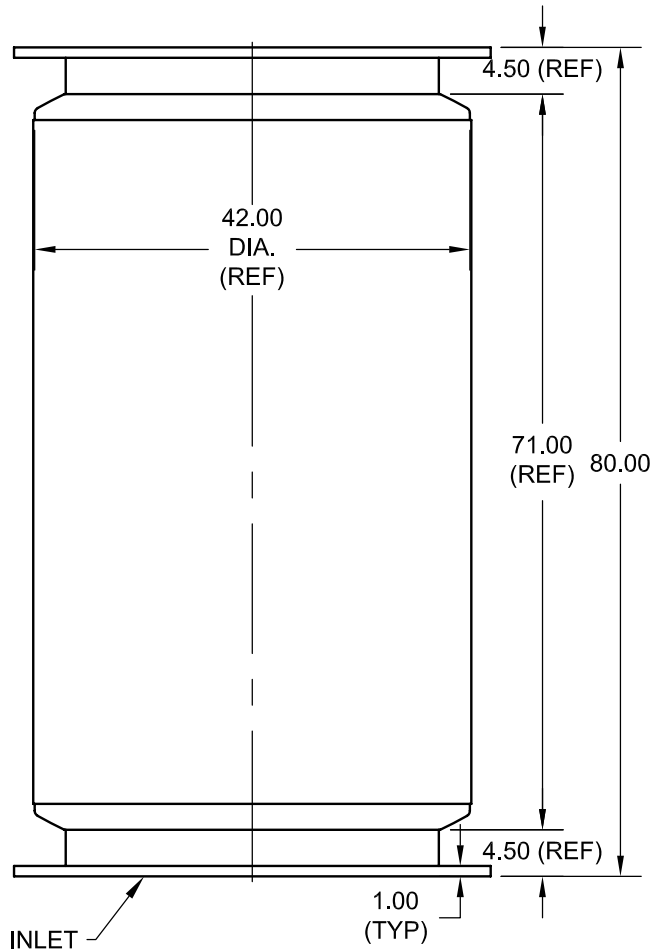
UNIVERSAL SILENCER

P.O. Box 411, Stoughton, Wisconsin 53589
608-873-4272 Fax 608-873-4298

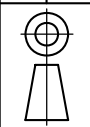
STANDARD SU3-36 ABSORPTIVE TYPE SILENCER

DATE 05-25-07
SHEET 1 OF 1
SCALE NTS

| | |
|----------|--------------------|
| NO. | 4 |
| REVISION | REDRAWN IN AUTOCAD |
| DRAWN | ALV 05-24-07 |
| APP'D | GP 05-29-07 |



This document contains CONFIDENTIAL and PROPRIETARY information of Universal Silencer. Any disclosure or unauthorized use without the express written consent of Universal Silencer is PROHIBITED.



DIMENSIONAL DRAWING NO.
12-136-AA

| | |
|---------------------------|--|
| DIMENSIONS CERTIFIED FOR: | |
| P.O. NO: | |
| U.S. S.O. NO: | |
| BY | |

| | | | | | |
|------------------|---------------------------------|----------------|-------------------|---|------------------|
| REV. 4 | APPROX WT 1485 LBS | MATERIAL STEEL | DRAWN ALV | DIMENSIONAL DRAWING NO. 12-136-AA | REV. 4 |
| | FINISH 88-0102 SHOP COAT PRIMER | | CHECK GP 05-29-07 | | |