



# UNIVERSAL SILENCER

A DIVISION OF NELSON INDUSTRIES, INC.  
STOUGHTON, WISCONSIN

## STANDARD SU3-34 ABSORPTIVE TYPE SILENCER

DATE 9-14-83

SHEET OF

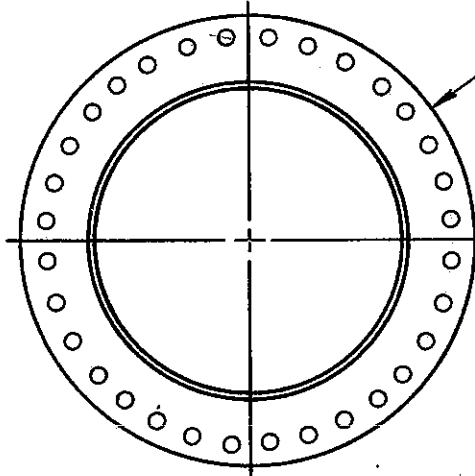
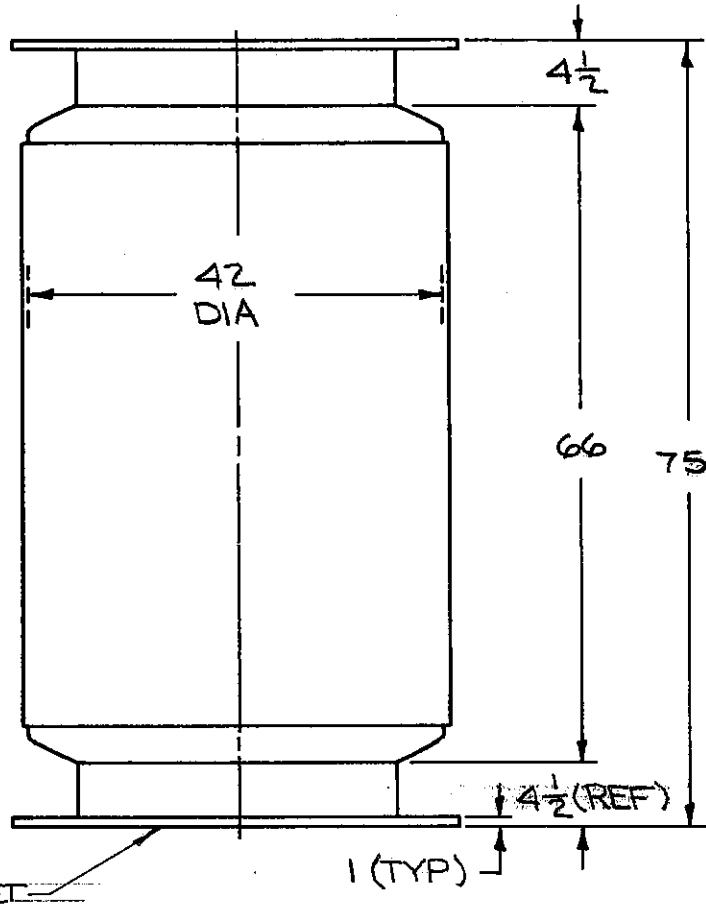
SCALE NTS

NO.

REVISION

DATE

BY



34"-125/150# ANSI  
DRILLED R FLG., BOLT  
HOLES STRADDLE C  
(TYP. INLET & OUTLET)

DRAWING NO.  
A-12-134-AA

DIMENSIONS  
CERTIFIED FOR:

P.O. NO:

U.S. S.O. NO:

BY

DATE

REV.

APPROX WT 1380

MATERIAL STEEL

DRAWN RPG

DRAWING NO.

REV.

FINISH 88-0102 SHOP COAT PRIMER

CHECK DWG

A-12-134-AA