



UNIVERSAL SILENCER

A DIVISION OF NELSON INDUSTRIES, INC.
STOUGHTON, WISCONSIN

STANDARD
SU3-28 ABSORPTIVE TYPE
SILENCER

DATE 9-14-83

SHEET OF

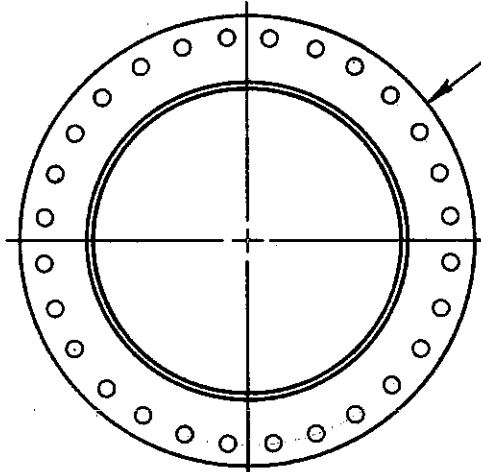
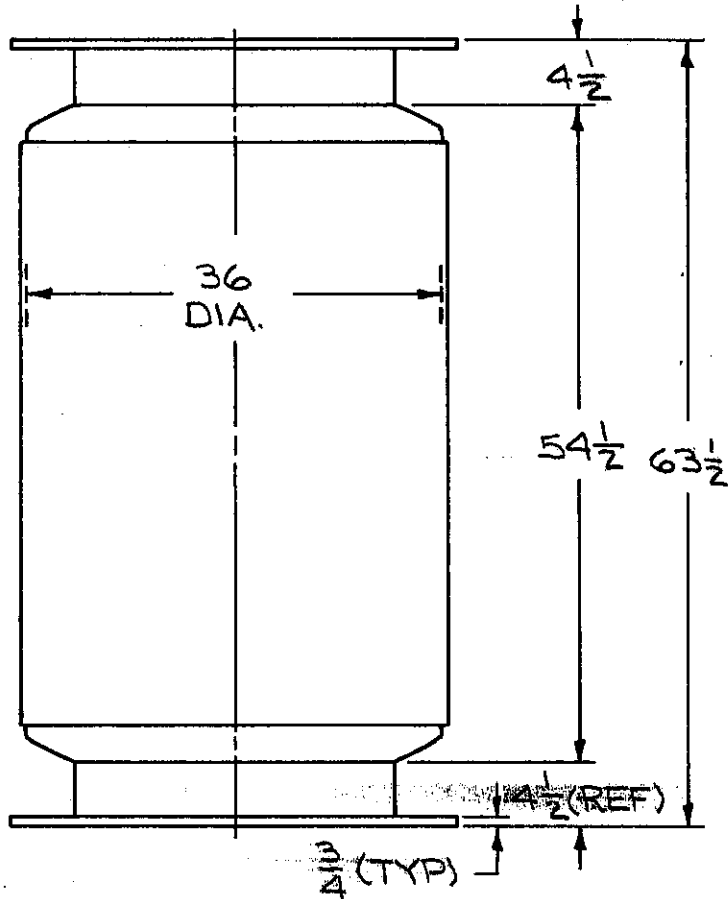
SCALE NTS

NO.

REVISION

DATE

BY



28"-125/150# ANSI
DRILLED R FLG., BOLT
HOLES STRADDLE ϵ
(TYP. INLET & OUTLET)

DRAWING NO.
A-12-128-AA

DIMENSIONS
CERTIFIED FOR:

P.O. NO:

U.S. S.O. NO:

BY

DATE

APPROX. WT. 830 MATERIAL STEEL

DRAWN RPG

DRAWING NO.

REV.

FINISH 88-0102 SHOP COAT PRIMER

CHECK DWS

A-12-128-AA