



UNIVERSAL SILENCER

A FLEETGUARD/NELSON COMPANY
P.O. Box 411, Stoughton, Wisconsin 53589
608-873-4272 Fax 608-873-4298

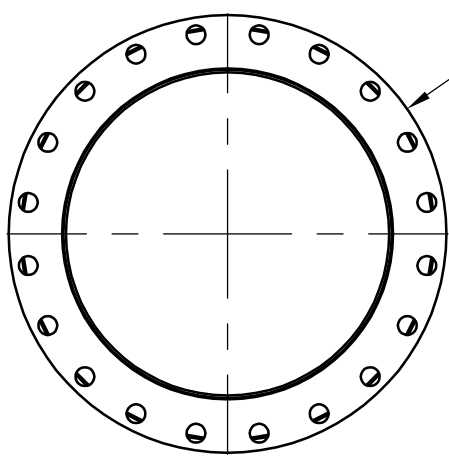
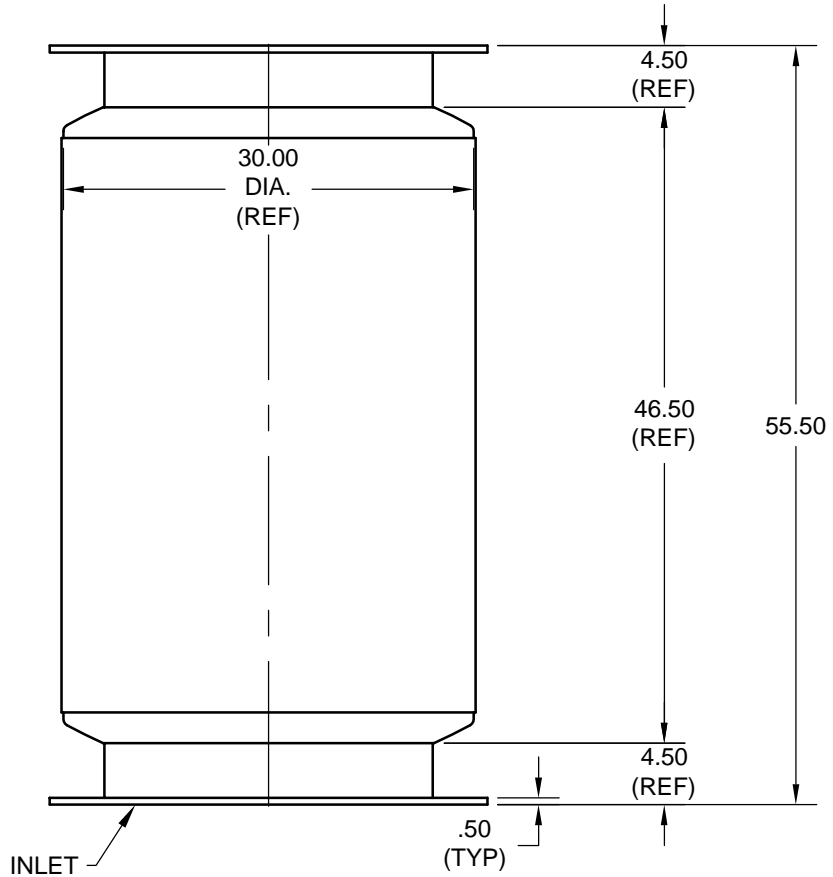
STANDARD SU3-24 ABSORPTIVE TYPE SILENCER

DATE 05-15-02

SHEET OF

SCALE NTS

NO.	4	REVISION	REDRAWN, UPDATED.	DATE	05-15-02	BY	TAH
							CB
							APP'D



24"-125/150# ANSI
DRILLED PLATE FLANGE,
BOLT HOLES STRADDLE C.L.
(TYP INLET & OUTLET)

This document contains CONFIDENTIAL and PROPRIETARY information of Universal Silencer, A Division of Nelson Industries, Inc. Any disclosure or unauthorized use without the express written consent of Universal Silencer is PROHIBITED.

DIMENSIONAL DRAWING NO.
12-124-AA

DIMENSIONS CERTIFIED FOR:	
P.O. NO:	
U.S. S.O. NO:	
BY	

REV. 4	APPROX WT 500 LBS	MATERIAL STEEL	DRAWN TAH	DIMENSIONAL DRAWING NO. 12-124-AA	REV. 4
	FINISH 88-0102 SHOP COAT PRIMER		CHECK CB 05-16-02		