



UNIVERSAL SILENCER

A DIVISION OF NELSON INDUSTRIES, INC.
STOUGHTON, WISCONSIN

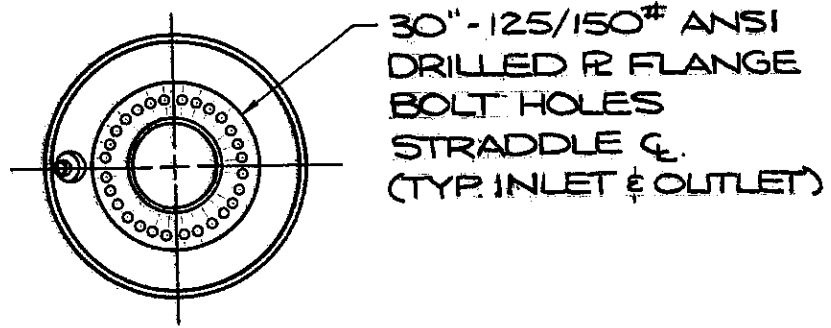
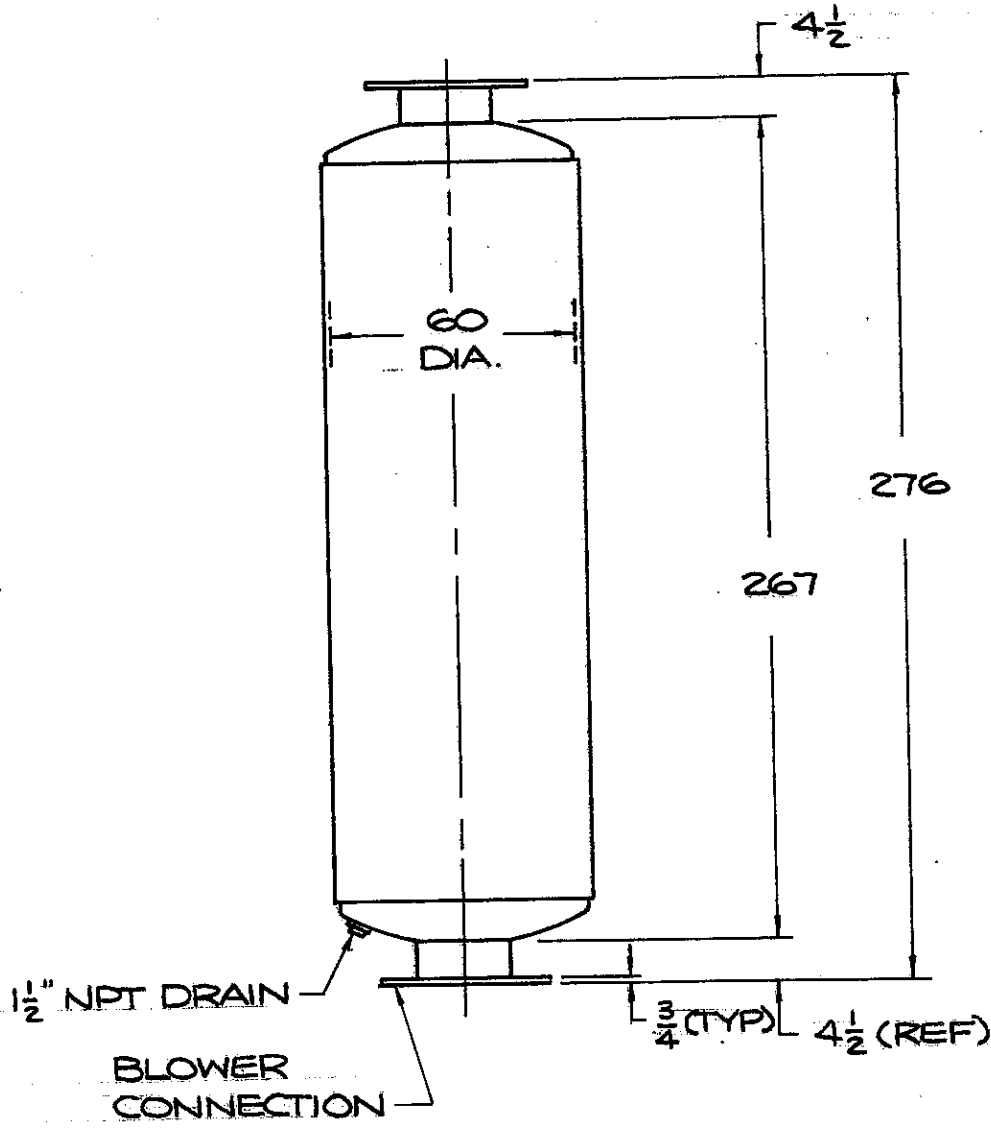
STANDARD SD-30 DISCHARGE SILENCER

DATE 6-29-82

SHEET OF

SCALE NTS

NO.	2
REVISION	REDRAWN
DATE	6/29/82
BY	SR



DRAWING NO.
A-58-130-AA

DIMENSIONS CERTIFIED FOR:	
P.O. NO:	
U.S. S.O. NO:	
BY	DATE

REV. 2	APPROX. WT. 5425	MATERIAL STEEL	DRAWN SER	DRAWING NO. A-58-130-AA	REV. 2
	FINISH 88-010Z SHOP COAT PRIMER		CHECK <i>[Signature]</i>		