



UNIVERSAL SILENCER

A DIVISION OF NELSON INDUSTRIES, INC.
STOUGHTON, WISCONSIN

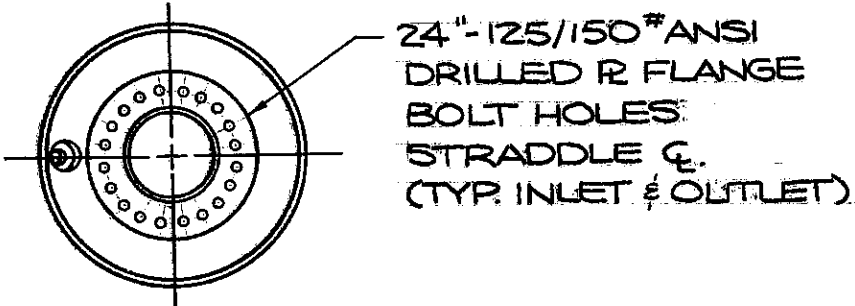
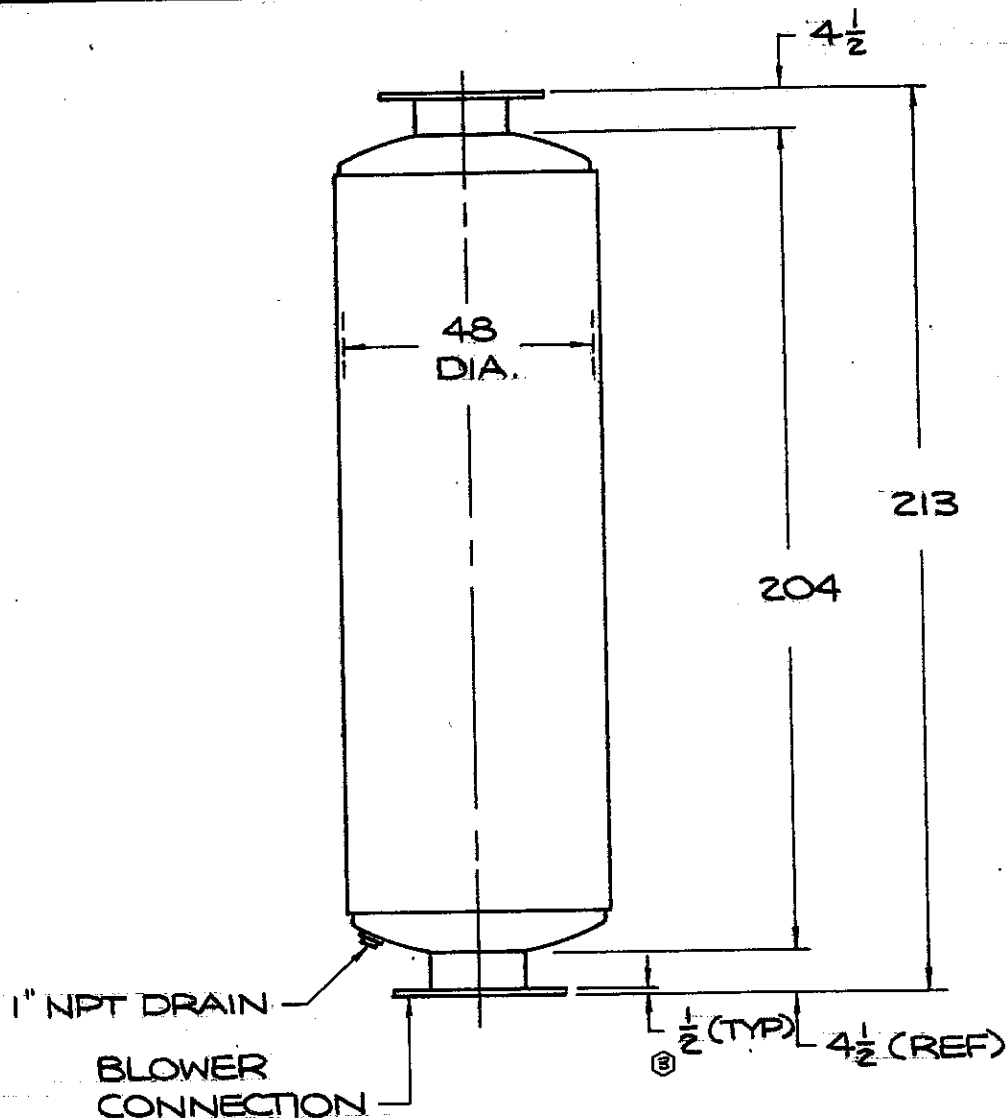
STANDARD SD-24 DISCHARGE SILENCER

DATE 6-29-82

SHEET OF

SCALE NTS

NO.	2	3
REVISION	REDRAWN	FLG. WAS 3/4 THK.
DATE	8/29/82	8/30/82
BY	AW	AW



DRAWING NO.
A-58-124-AA
REV.
3

DIMENSIONS CERTIFIED FOR:		DRAWING NO.	
P.O. NO:		A-58-124-AA	
U.S. S.O. NO:		REV. 3	
BY	DATE		
DRAWN SER	CHECK AW		
APPROX. WT. 3030	MATERIAL STEEL		
FINISH 88-0102	SHOP COAT PRIMER		