



# UNIVERSAL SILENCER

A DIVISION OF NELSON INDUSTRIES, INC.  
STOUGHTON, WISCONSIN

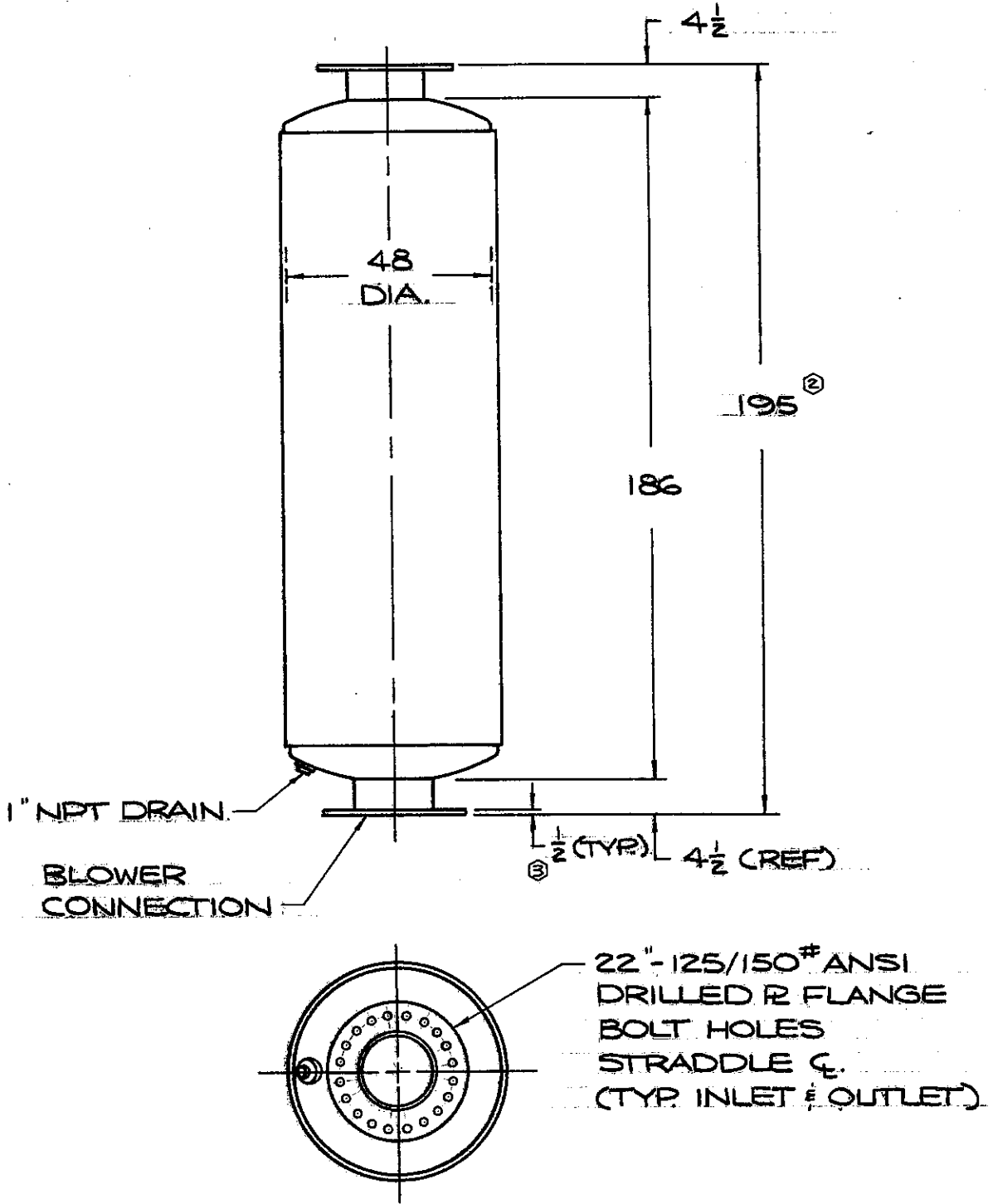
## STANDARD SD-22 DISCHARGE SILENCER

DATE 6-29-82

SHEET OF

SCALE NTS

NO.	③	FLG. WAS 3/4 THK.	8/31/82	SR
	②	195 WAS 196	02/29/82	SR
		REVISION		
		DATE		BY



DRAWING NO.  
A-58-122-AA  
REV. 3

DIMENSIONS CERTIFIED FOR:	
P.O. NO:	
U.S. S.O. NO:	
BY	DATE

APPROX. WT. 2710	MATERIAL STEEL	DRAWN SER	DRAWING NO. A-58-122-AA	REV. 3
FINISH 88-010Z SHOP COAT PRIMER		CHECK DWG		