



UNIVERSAL SILENCER

A DIVISION OF NELSON INDUSTRIES, INC.
 P.O. Box 411, Stoughton, Wisconsin 53589
 608-873-4272 Fax 608-873-4298

RAINCAPS

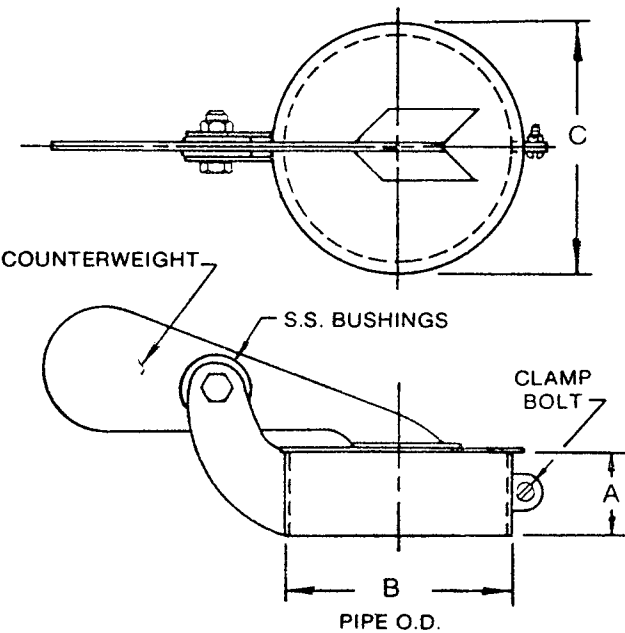
DRAWING NO. REV

88-1075

DRAWN JAH

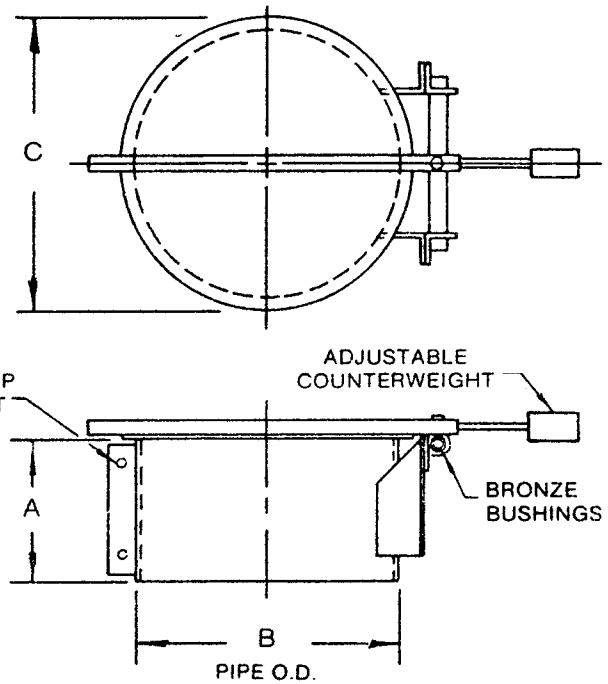
DATE 10/8/81

APPROVED JRC



TYPE G — PIPE SIZES 1" - 6"

TYPE G



TYPE S PIPE SIZES 8" - 24"

TYPE S

SIZE	PART NO.	A	B		C
			MIN.	MAX.	
1	80-1061	1½	1¼	17/16	111/16
1½	80-1062	1½	1¾	15/16	23/16
2	80-1063	1½	2¼	27/16	211/16
2½	80-1064	1½	2¾	25/16	33/16
3	80-1065	1½	3½	31/16	35/16
3½	80-1066	1½	4	43/16	47/16
4	80-1067	1½	4½	41/16	45/16
5	80-1068	1½	5½	51/16	55/16
6	80-1165	1½	6¾	6¾	7

SIZE	PART NO.	A	B	C
			MAX.	
8	80-1035	5¾	8¾	10
10	80-1036	5¾	107/8	12
12	80-1037	5¾	127/8	15
14	80-1038	5¾	147/8	16
16	80-1039	5¾	167/8	18
18	80-1040	5¾	187/8	20
20	80-1041	5¾	207/8	22
22	80-1042	5¾	227/8	24
24	80-1161	5¾	247/8	26

- NOTES: 1. To install, slip over exhaust pipe and tighten clamp bolts.
 2. On sizes 8" - 24", adjust counterweight as required, depending upon operating conditions.
 3. Other intermediate sizes between 1" and 6" available on request.