



UNIVERSAL SILENCER

A FLEETGUARD/NELSON COMPANY
P.O. Box 411, Stoughton, Wisconsin 53589
608-873-4272 Fax 608-873-4298

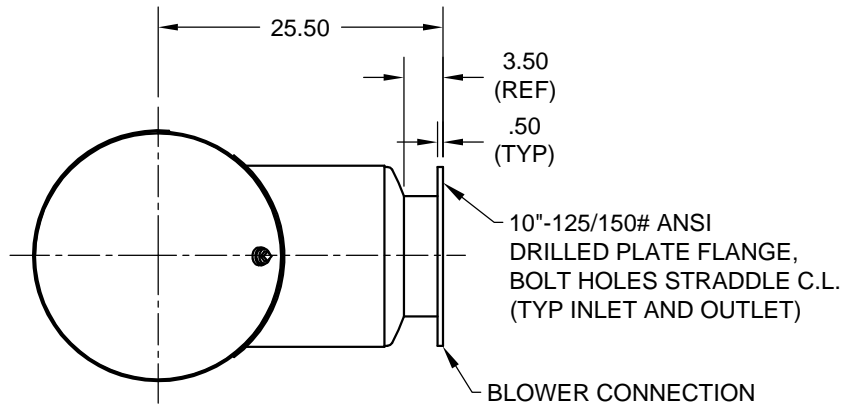
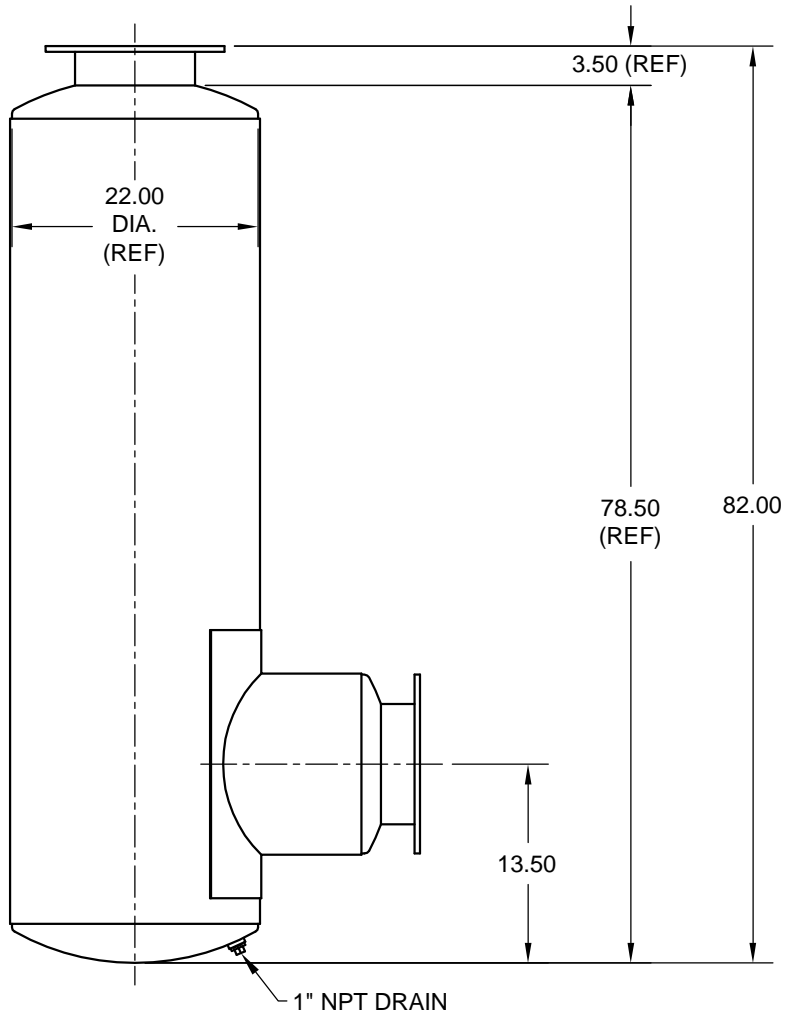
STANDARD RISY/SDY-10 BLOWER SILENCER

DATE 03-20-03

SHEET 1 OF 1

SCALE NTS

| | | | |
|-----|-----------------------------|-------------------|-------------------|
| 15 | REVISED TO REMOVE MTG LEGS. | DY | LM |
| NO. | REVISION | 03-21-03 DRAWN | 03-26-03 APP'D |



This document contains CONFIDENTIAL and PROPRIETARY information of Universal Silencer, a Division of Nelson Industries, Inc. Any disclosure or unauthorized use without the express written consent of Universal Silencer is PROHIBITED.

DIMENSIONAL DRAWING NO.
54-210-AA

MOUNTING LEGS

YES

NO

X DIM= _____

Y DIM= _____

X+Y DIM= _____

DIMENSIONS CERTIFIED FOR:

P.O. NO:

U.S. S.O. NO:

BY

15 REV.

APPROX WT 405 LBS.
FINISH 88-0102 SHOP COAT PRIMER

MATERIAL STEEL

DRAWN DY
CHECK LM 03-26-03

DIMENSIONAL DRAWING NO.
54-210-AA

REV.
15