



# UNIVERSAL SILENCER

A FLEETGUARD/NELSON COMPANY  
P.O. Box 411, Stoughton, Wisconsin 53589  
608-873-4272 Fax 608-873-4298

## STANDARD THREADED RISY/SDY-5 BLOWER SILENCER

DATE 07-23-02

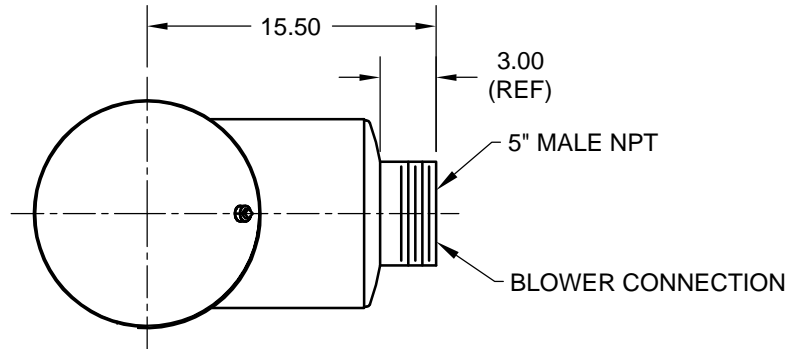
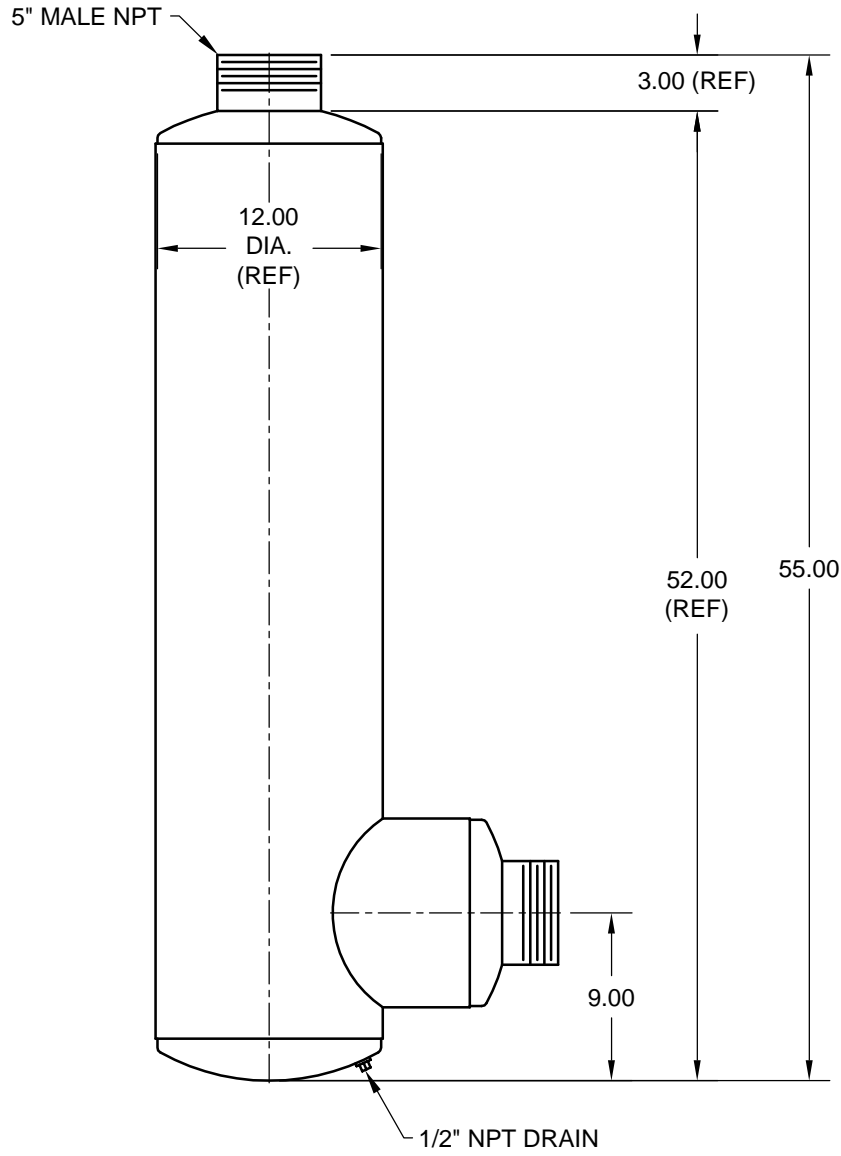
SHEET OF

SCALE NTS

NO.	5
REVISION	REDRAWN ON AUTOCAD.
DY	07-23-02
DRAWN	
APP'D	07-24-02
	CB

This document contains CONFIDENTIAL and PROPRIETARY information of Universal Silencer, A Division of Nelson Industries, Inc. Any disclosure or unauthorized use without the express written consent of Universal Silencer is PROHIBITED.

DIMENSIONAL DRAWING NO.  
**54-205-TT**



MOUNTING LEGS

YES

NO

X DIM= \_\_\_\_\_

Y DIM= \_\_\_\_\_

X+Y DIM= \_\_\_\_\_

DIMENSIONS CERTIFIED FOR:

P.O. NO: \_\_\_\_\_

U.S. S.O. NO: \_\_\_\_\_

BY \_\_\_\_\_

5	REV.	APPROX WT 95 LBS.	MATERIAL STEEL	DRAWN DY	DIMENSIONAL DRAWING NO. <b>54-205-TT</b>	REV.
		FINISH 88-0102 SHOP COAT PRIMER		CHECK CB 07-24-02		<b>5</b>