



# UNIVERSAL SILENCER

A FLEETGUARD/NELSON COMPANY  
 P.O. Box 411, Stoughton, Wisconsin 53589  
 608-873-4272 Fax 608-873-4298

## STANDARD RFSY-20 AIR INTAKE FILTER SILENCER

DATE 12-29-93  
 SHEET OF  
 SCALE NTS

NO. \_\_\_\_\_  
 REVISION \_\_\_\_\_  
 DRAWN \_\_\_\_\_  
 APP'D \_\_\_\_\_  
 This document contains CONFIDENTIAL and PROPRIETARY information of Universal Silencer, a Division of Nelson Industries, Inc. Any disclosure or unauthorized use without the express written consent of Universal Silencer is PROHIBITED.

INLET SCREEN

(2) LIFT LUGS WITH 1.50" DIA. HOLES

(2) ACCESS DOORS FOR FILTER REMOVAL (18 X 33 OPENING)

48.00 DIA.

86.13

207.50

(3) MTG. LEGS WITH 1.25" DIA. HOLES ON 48.25" DIA. B.C. 5.00 X 5.00 BASE

MIN. 19.00  
 MAX. 56.00

.50

28.50

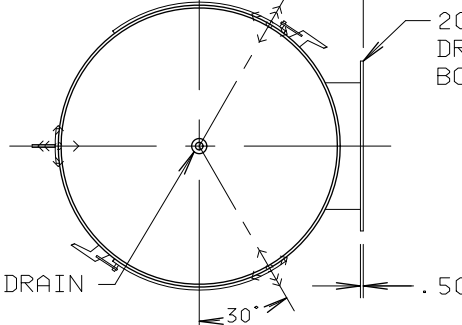
30°

MIN. 0.00  
 MAX. 6.00

20"-125/150# ANSI DRILLED PL FLG., BOLT HOLES STRADDLE CL.

NOTES:

WT. SHOWN DOES NOT INCLUDE WT. OF FILTER ELEMENTS.



1 1/2" NPT DRAIN

MOUNTING LEGS

YES

NO

X DIM= \_\_\_\_\_

Y DIM= \_\_\_\_\_

X+Y DIM= \_\_\_\_\_

DIMENSIONS CERTIFIED FOR:

P.O. NO:

U.S. S.O. NO:

BY

DATE

FILTER ELEMENTS INCLUDED (APPLIED ONLY TO ORDER FOR WHICH DRAWING IS CERTIFIED)

FILTER TYPE AND PART NUMBER

SINGLE STAGE

DUAL STAGE

PRE-FILTER

FINAL FILTER

DIMENSIONAL DRAWING NO.

43-220-AA

REV.

0

DIMENSIONAL DRAWING NO.

43-220-AA

REV.

APPROX WT 2530

MATERIAL STEEL

DRAWN BJD

FINISH 88-0102 SHOP COAT PRIMER

CHECK