



UNIVERSAL SILENCER

A FLEETGUARD/NELSON COMPANY
 P.O. Box 411, Stoughton, Wisconsin 53589
 608-873-4272 Fax 608-873-4298

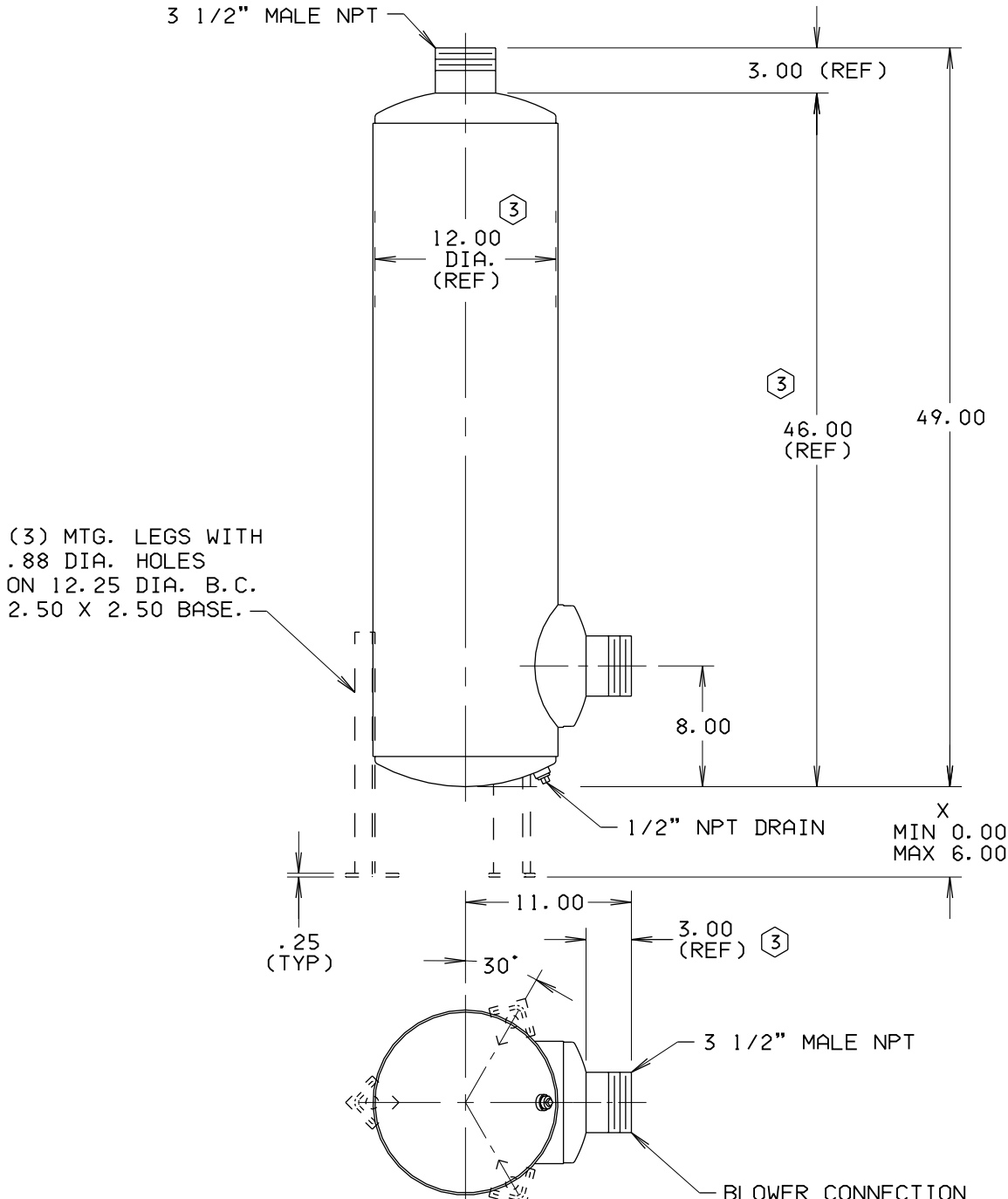
STANDARD RDY-3 1/2 DISCHARGE SILENCER

DATE 07-06-98

SHEET OF

SCALE NTS

| | | | | |
|----------|---|---|---------|----------|
| NO. | 2 | ADDED (REF) TO NON-CRITICAL DIM. REDRAWN | DY | DO |
| | | | | 10-04-00 |
| REVISION | | | 7-06-98 | VED |
| | | | APP'D | |



This document contains CONFIDENTIAL and PROPRIETARY information of Universal Silencer, a Division of Nelson Industries, Inc. Any disclosure or unauthorized use without the express written consent of Universal Silencer is PROHIBITED.

DIMENSIONAL DRAWING NO. 57-235-AA

| | | | | |
|---|--------------|------------|---------------------------|---------------|
| FILTER ELEMENTS INCLUDED (APPLIED ONLY TO ORDER FOR WHICH DRAWING IS CERTIFIED) | | | DIMENSIONS CERTIFIED FOR: | |
| FILTER TYPE AND PART NUMBER | SINGLE STAGE | DUAL STAGE | | P.O. NO: |
| | | PRE-FILTER | FINAL FILTER | |
| | | | | U.S. S.O. NO: |
| | | | | BY |
| | | | | DATE |

| | | | | |
|---------------------------------|-------------------|-----------|-------------------------|------|
| APPROX WT 70 | MATERIAL STEEL | DRAWN VED | DIMENSIONAL DRAWING NO. | REV. |
| FINISH 88-0102 SHOP COAT PRIMER | CHECK DO 07-07-98 | 57-235-AA | 3 | 3 |