



# UNIVERSAL SILENCER

A FLEETGUARD/NELSON COMPANY  
 P.O. Box 411, Stoughton, Wisconsin 53589  
 608-873-4272 Fax 608-873-4298

## STANDARD RDY-2 1/2 BASEPLATE ASSEMBLY

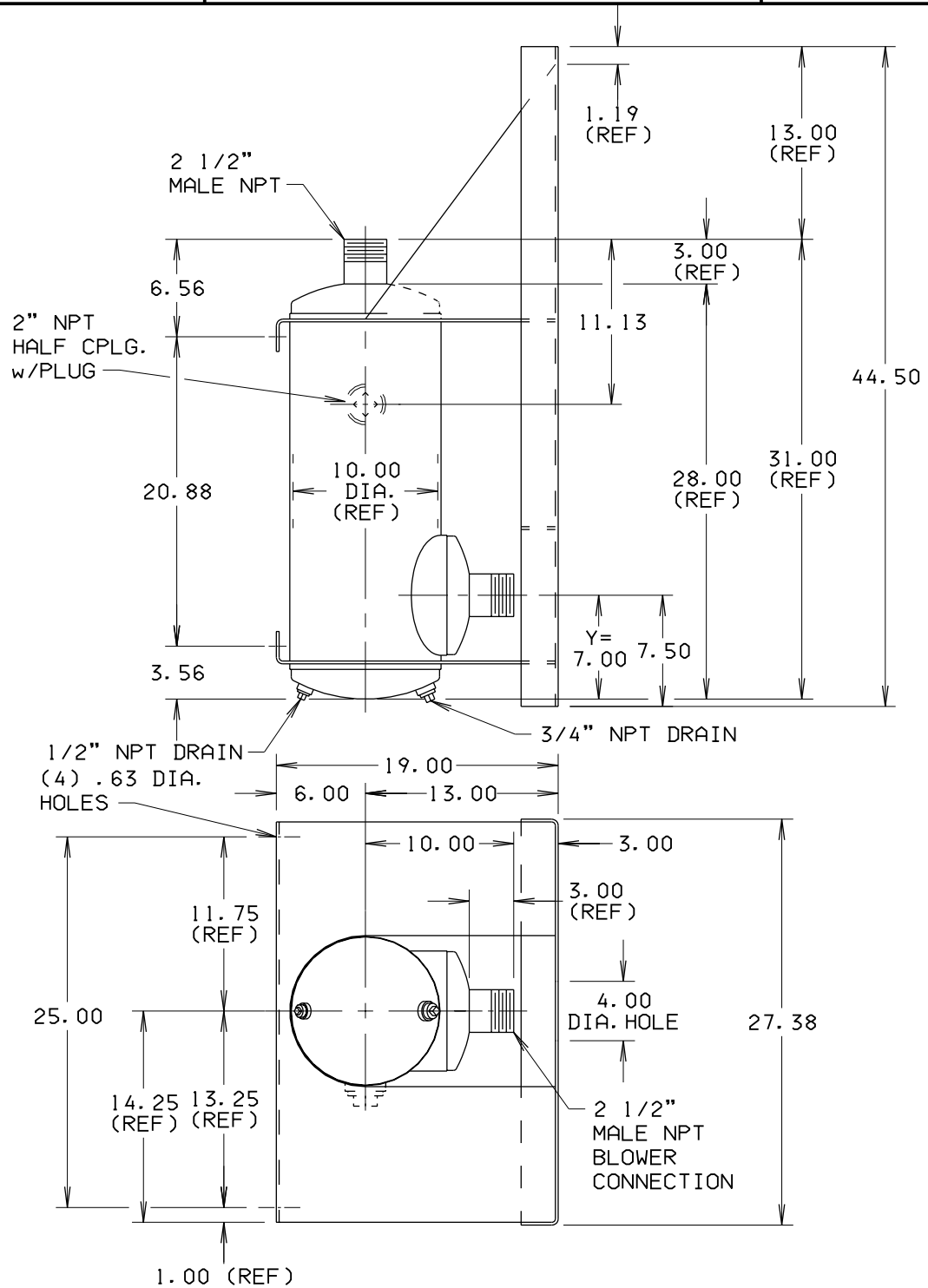
DATE 6-20-00

SHEET OF

SCALE NTS

NO. 0  
 P/N WAS 57-225-ABP REV. 1  
 REVISION  
 BGL 6-20-00  
 DRAWN  
 CB 11-30-00  
 APP'D

This document contains CONFIDENTIAL and PROPRIETARY information of Universal Silencer, a Division of Nelson Industries, Inc. Any disclosure or unauthorized use without the express written consent of Universal Silencer is PROHIBITED.



DIMENSIONAL DRAWING NO.  
**57-225-ABP**

MOUNTING LEGS

YES

NO

X DIM= ----

Y DIM= 7.00.

X+Y DIM= ----

DIMENSIONS CERTIFIED FOR:

P.O. NO:

U.S. S.O. NO:

BY

APPROX WT 170 LBS	MATERIAL STEEL	DRAWN BGL	DIMENSIONAL DRAWING NO.	REV.
FINISH 88-0102 SHOP COAT PRIMER	CHECK DO 11-30-00	57-225-ABP		0