



UNIVERSAL SILENCER

A FLEETGUARD/NELSON COMPANY
P.O. Box 411, Stoughton, Wisconsin 53589
608-873-4272 Fax 608-873-4298

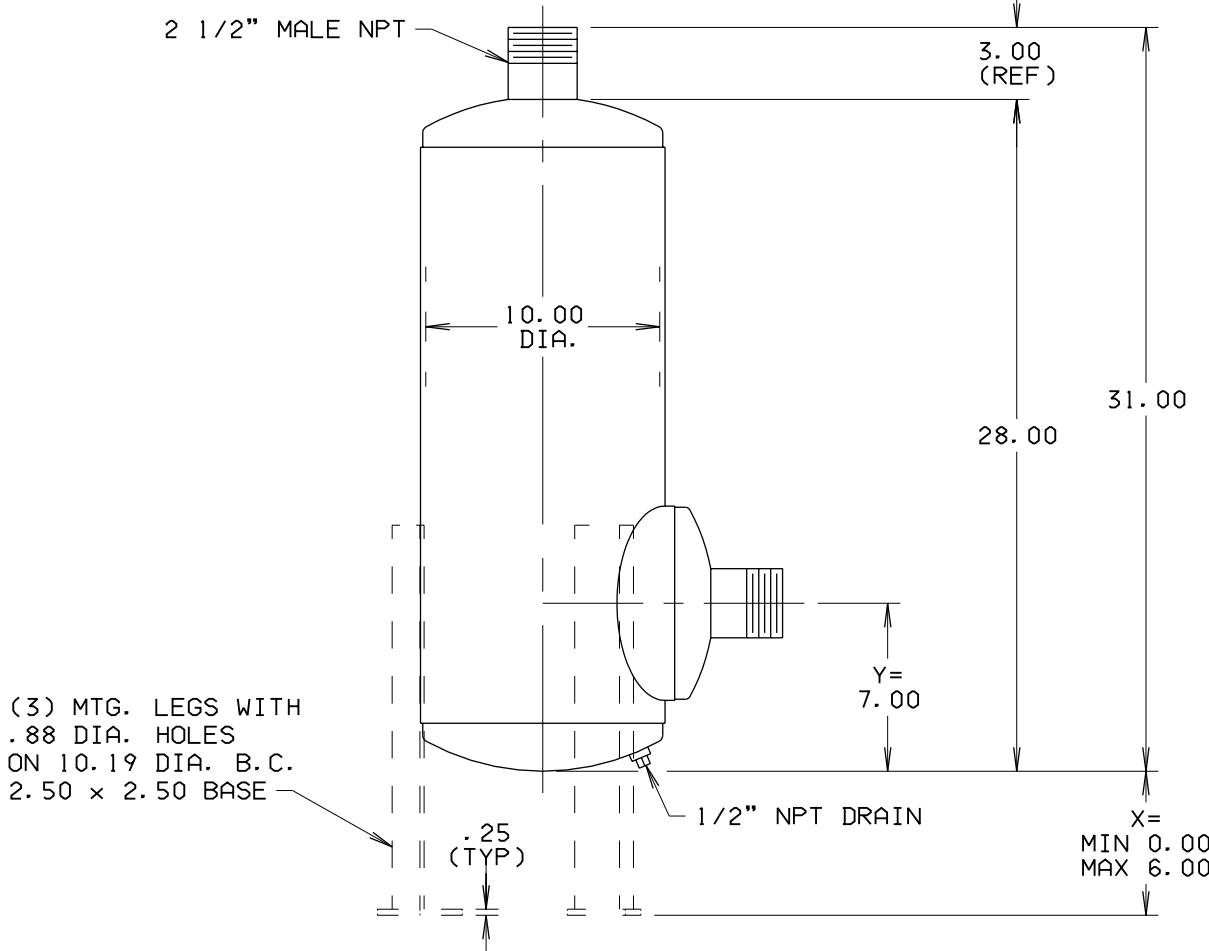
STANDARD RDY-2 1/2 DISCHARGE SILENCER

DATE 12-26-96

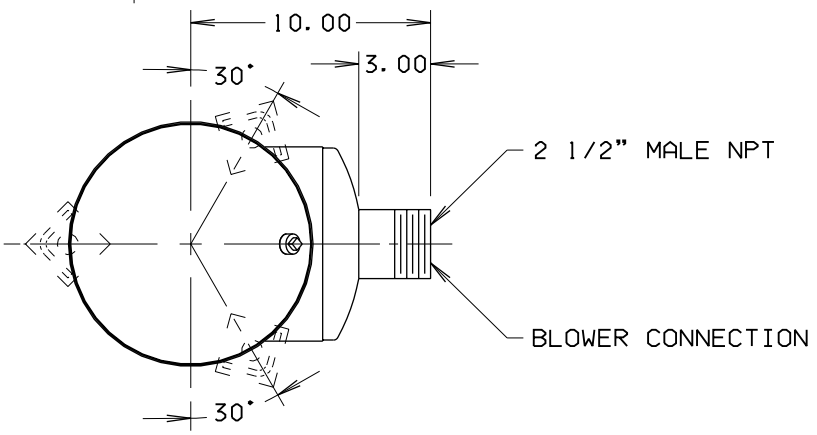
SHEET OF

SCALE NTS

NO.	2
REVISION	REDRAWN.
DATE	12-26-96
APP'D	JPM



(3) MTG. LEGS WITH
.88 DIA. HOLES
ON 10.19 DIA. B.C.
2.50 x 2.50 BASE



MOUNTING LEGS

YES

NO

X DIM= _____

Y DIM= 7.00

X+Y DIM= _____

DIMENSIONS CERTIFIED FOR:

P.O. NO: _____

U.S. S.O. NO: _____

BY _____

DIMENSIONAL DRAWING NO. 57-225-AA 2

APPROX WT	40	MATERIAL	STEEL	DRAWN	JPM	DIMENSIONAL DRAWING NO.	57-225-AA	REV.	2
FINISH	88-0102 SHOP COAT PRIMER	CHECK							