



UNIVERSAL SILENCER

A FLEETGUARD/NELSON COMPANY
P.O. Box 411, Stoughton, Wisconsin 53589
608-873-4272 Fax 608-873-4298

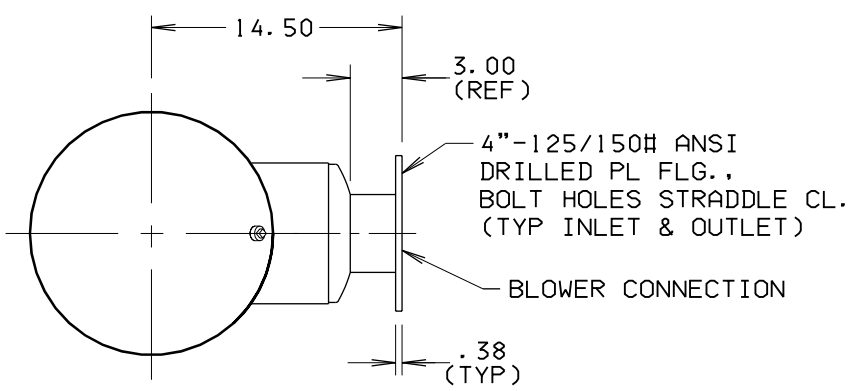
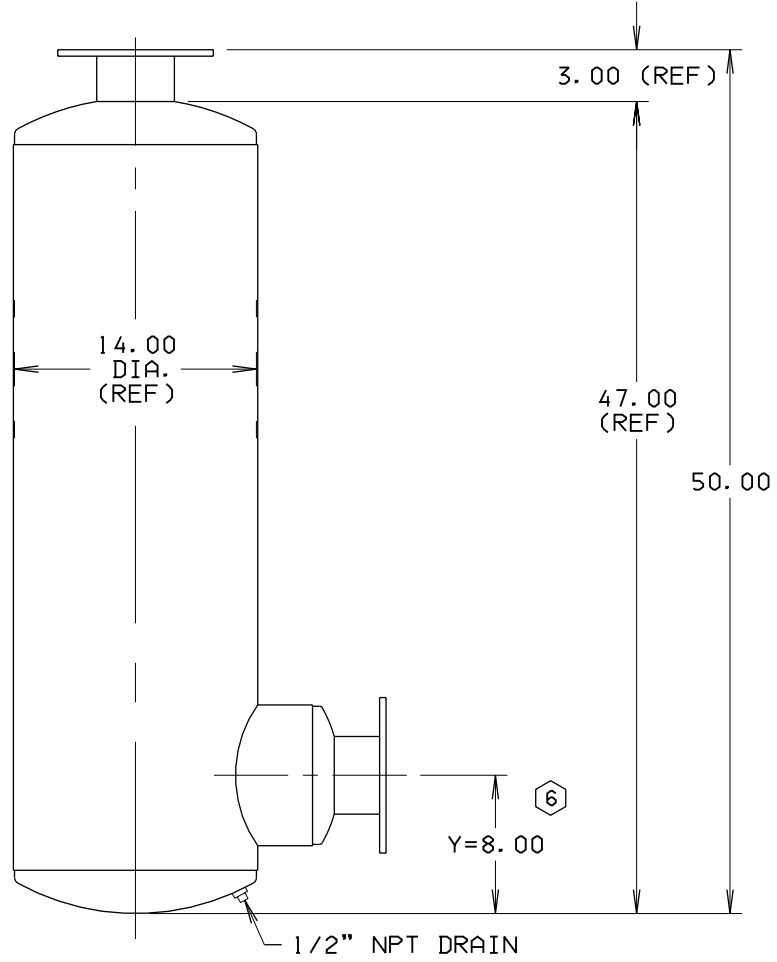
STANDARD RDY-4 DISCHARGE SILENCER

DATE 12-19-95

SHEET OF

SCALE NTS

NO.	5	DASHED LEGS REMOVED: "Y" DIM. WAS MIN. MAX.	9-9-99	SER
	REVISION			
	12-19-95			
	APP'D	JPM		



This document contains CONFIDENTIAL and PROPRIETARY information of Universal Silencer, a Division of Nelson Industries, Inc. Any disclosure or unauthorized use without the express written consent of Universal Silencer is PROHIBITED.

DIMENSIONAL DRAWING NO.
57-204-AA

MOUNTING LEGS	X DIM= _____
YES <input type="checkbox"/>	Y DIM= <u>8.00</u>
NO <input checked="" type="checkbox"/>	X+Y DIM= _____

DIMENSIONS CERTIFIED FOR:
P.O. NO:
U.S. S.O. NO:
BY

REV. 6	APPROX WT 95	MATERIAL STEEL	DRAWN JPM	DIMENSIONAL DRAWING NO. 57-204-AA	REV. 6
	FINISH 88-0102 SHOP COAT PRIMER		CHECKDWO 9-9-99		